

POOL EXPERT®

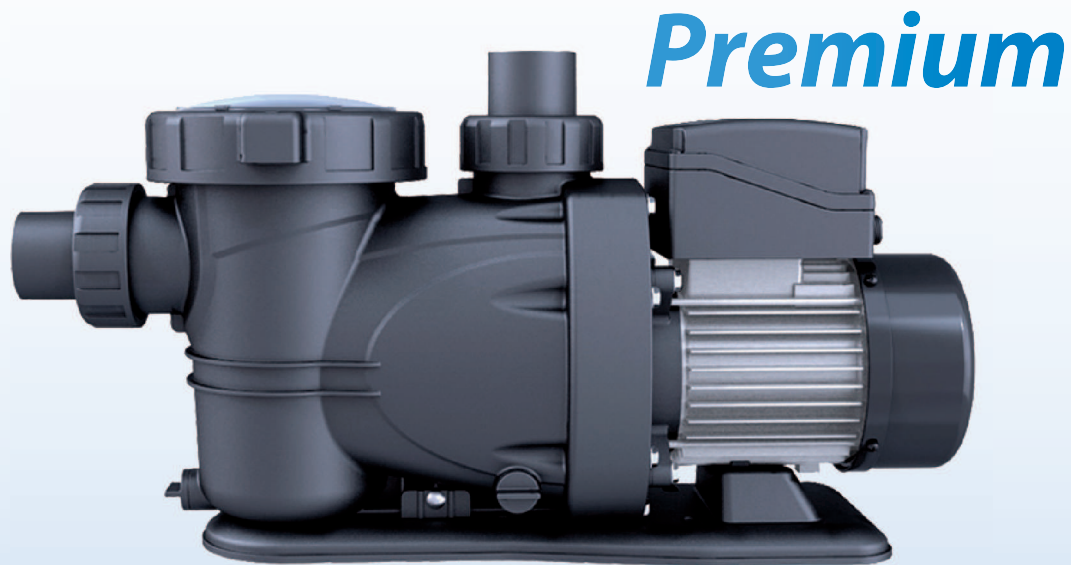
www.gre.es

Pumps - Bombas - Pompes - Pumpen Pompe - Poms - Bombas

PP101
1CV

PP151
1,5CV

PP201
2CV



Instruction Manual - Manual de Instrucciones
Manuel d'Instructions - Bedienungsanleitung
Manuale delle istruzioni - Handleiding met instructies
Manual de instruções

We reserve to change all of part of the articles or contents of this document, without prior notice.

Nos reservamos el derecho de cambiar total o parcialmente las características de nuestros artículos o contenido de este documento sin previo aviso.

Nous nous réservons le droit de modifier totalement ou en partie les caractéristiques de nos articles ou le contenu de ce document sans pré avis.

Wir behalten uns das recht vor die eigenschaften unserer produkte oder den inhalt diese prospektes teilweise oder wollstanding, ohne vorherige benachichtigung su andern.

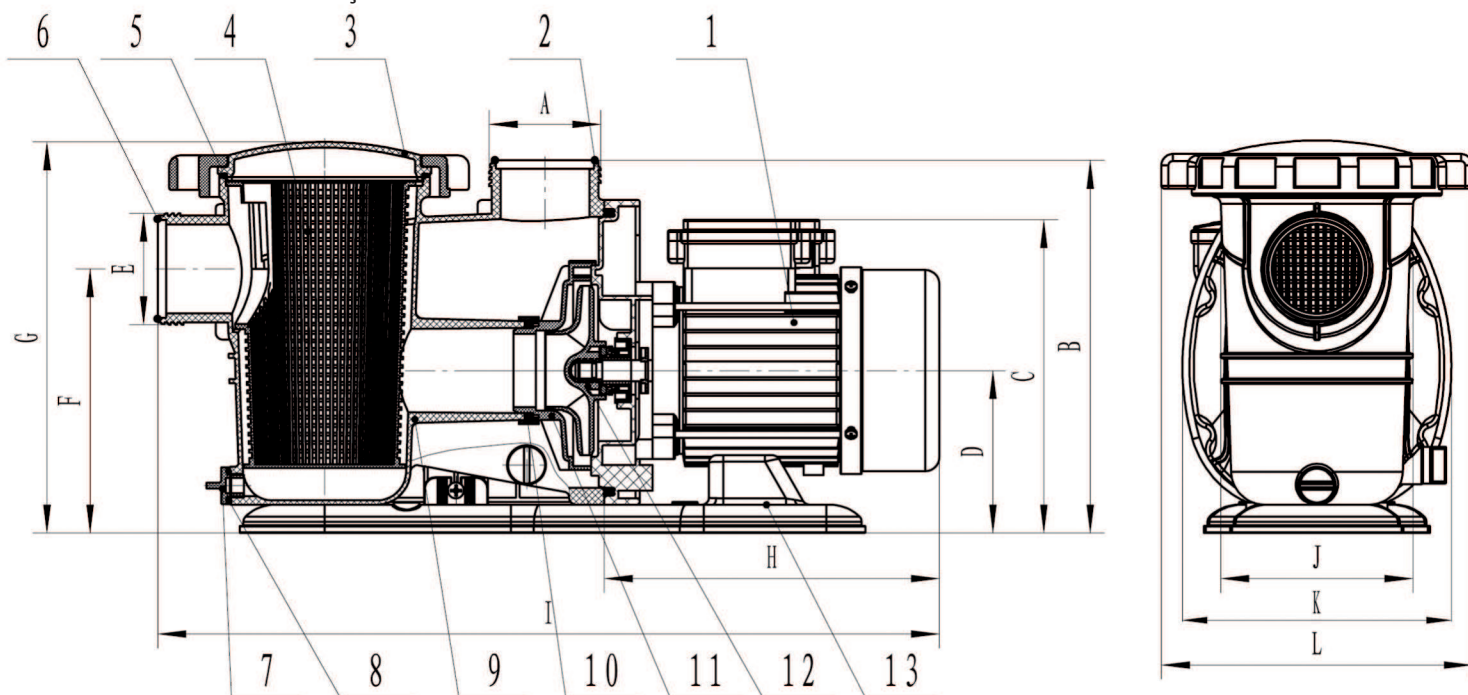
Ci riservamo il diritto di cambiare totalmente o parzialmente le caratteristiche tecniche dei nostri prodotti ed il contenuto di questo documento senza nessun preavviso.

Wij behouden ons het recht voor geheel of gedeeltelijk de kenmerken van onze artikelen of de inhoud van deze handleiding zonder voorafgaand bericht te wijzigen.

Reservamo-nos no dereito de alterar, total ou parcialmente as características os nossos artigos ou o conteúdo deste documento sem aviso prévio.

Self-priming SWIMMING POOL PUMP
 BOMBA DE PISCINA autocebante
 POMPE DE PISCINE auto-amorçante
 Selbstansaugende SCHWIMMBADPUMPE
 POMPA DI PISCINA auto-aspirante
 Zelfaanzuigende ZWEMBADPOMP
 BOMBA PISCINA automeçando

1 - 1,5 - 2 CV



	EN	ES	FR	DE	IT	NL	PT
n°	Description	Descripción	Description	Beschreibung:	Descrizione:	Beschrijving:	Descrição
1	Motor	Motor	Moteur	Motor	Motore	Motor	Motor
2	O-ring seal for drive	Junta tórica impulsión	Joint thorique refoulement	O-Ring des Antriebs	Guarnizione impulso	O-ring impuls	Tampão impulso
3	Pre-filter cover	Tapa de prefiltro	Buse	Vorfilterdeckel	Coperchio prefiltro	Deksel van de voorfilter	Tampa pre-filtro
4	Pre-filter basket	Cesto del prefiltro	Panier du préfiltre	Vorfilterkorb	Canestro prefiltro	Korf van de voorfilter	Cesto pre-filtro
5	O-ring seal for pre-filter	Junta tórica del prefiltro	Joint thorique de la buse	O-Ring für Vorfilter	Guarnizione prefiltro	O-ring voor voorfilter	Junta pre-filtro
6	O-ring seal for suction	Junta tórica aspiración	Joint thorique aspiration	O-Ring für den Sauger	Guarnizione aspirazione	O-ring voor aanzuiging	Tampão aspiração
7	Purging plug	Tapón de purga	Bouchon de vindage	Abflussdeckel	Tappo di scario	Aftapplug	Tampão desaguamento
8	Purging plug seal	Junta tapón de purga	Joint du bouchon de vinface	Dichtung des Abflussdeckels	Guarnizione tappo di scarico	Dichting aftapplug	Junta tampão desaguamento
9	Casing	Carcasa	Enveloppe	Gehäuse	Corpo pompa	Behuizing	Corpo bomba
10	O-ring seal	Junta tórica	Joint thorique	O-Ring	Guarnizione	O-ring	Tampão
11	Diffuser	Difusor	Diffuseur	Diffusor	Diffusore	Diffusor	Difusor
12	Air-screw	Helice	Hélice	Helix	Turbina	Schroef	Turbina
13	Motor assembly plate	Placa de montaje del motor	Plaque de montage du moteur	Montageabdeckung des Motors	Targa d'assemblaggio di motore	Monteerbasis voor motor	Placa da montagem do motor

	A (mm)	B (mm)	C (mm)	D (mm)	E (mm)	F (mm)	G (mm)	H (mm)	I (mm)	J (mm)	K (mm)	L (mm)
1 cv	79	264	222	115	79	187	278	237	553	136	190	220
1,5 cv	79	264	222	115	79	187	278	237	553	136	190	220
2 cv	79	264	237	115	79	187	278	267	583	136	190	220

EN- Self-priming swimming pool pump

SAFETY INSTRUCTIONS. READ CAREFULLY

- All electrical installations should comply with the following standard;

NF C15-100

NF EN 60-335-2-41

that refers “to the construction of electrical installations, both in indoor and outdoor swimming pools”, or the equivalent standard in force in each region or country.

- All filtering should follow the C 15-100 installation standard that stipulates that all electrical apparatus located at less than 3.5 m. from the pool and freely accessible, should be supplied by a very low voltage of 12 V. All apparatus supplied with 220 V should be located at least 3.5 m. from the swimming pool edge. Ask the manufacturer for permission to make any modifications in one or more elements of the filtering system.
 - The electrical installation should be performed by professional staff qualified in electrical installations.
 - The apparatus must not be on while the pool is being used.
 - Do not operate the apparatus unless it is properly primed.
 - NEVER touch the apparatus when it is operating if you are wet or have wet hands.
 - When handling the pump, DISCONNECT the power supply.
 - Make sure that the ground is dry before touching the electrical equipment.
 - Do not install the apparatus where it could become wet, as it may cause electrocution.
 - Do not allow children or adults to lean against or sit on the apparatus.
 - If the supply flex of the apparatus is damaged, it should be replaced. Read the instructions carefully to replace it.
- If in doubt, contact the technical service.

This mode allows making a correct installation with optimal results of your swimming pool pump. Carefully read this instruction manual.

Your new pump is a one-stage self-priming, centrifugal pump, designed for use with a swimming-pool filtering system. It is designed to be used with clean water for temperatures between 5 °C and 35 °C. It is manufactured from high quality materials subject to strict hydraulic and electrical tests. A correct installation of this pump is assured by following the instructions from this manual. We decline all responsibility for damages caused by use different to that explained in this instruction manual.

IMPORTANT

This manual contains basic information on the safety measures to be adopted during installation and start-up. The fitter and the user must therefore read the instructions before installation and start-up.

GENERAL SAFETY REGULATIONS

- The machines indicated in this Manual are especially designed for the pre-filtering and recirculation of water in swimming pools
- Install them in line with the specific instructions for each installation
- All modifications to the pump require prior authorisation from the manufacturer. Original spare parts and accessories authorised by the manufacturer ensure greater safety. The pump manufacturer is exempt from all liability regarding any damage caused by unauthorised spare parts or accessories.
- When working on each machine or on the units linked to them, disconnect the unit from the power supply and the startup devices, as the electrical parts of the pump are live during operation.
- All assembly and maintenance work must be carried out by qualified and authorised personnel who have carefully read the installation and service instructions.
- To guarantee safety when operating the machine, you must comply with that set out in the installation and service instructions.
- In the event of defective operation or faults, contact your supplier or nearest representative.
- If the power supply cable is damaged, the manufacturer, its after-sales service of qualified technicians, should replace it in order to avoid hazards.
- The device should be connected to electricity outlet with earth connection, protected by a Residual Current circuit breaker that does not exceed 30 mA.

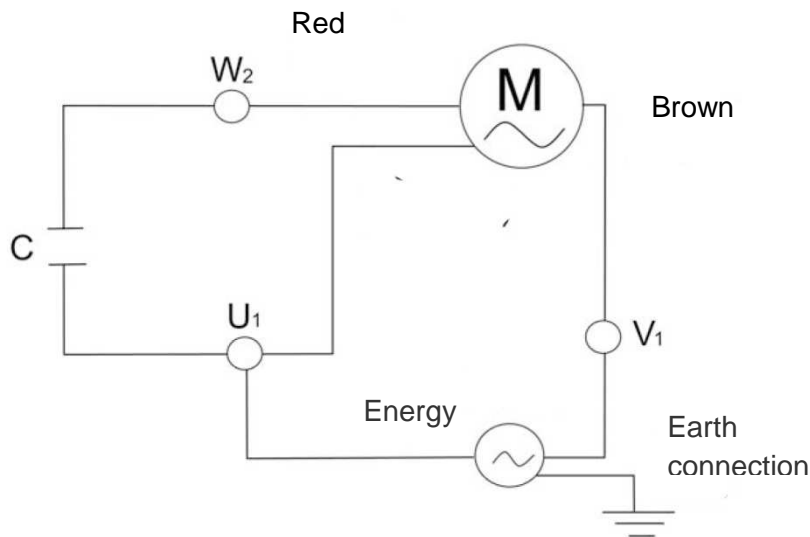
- Make sure that water is unable to enter the motor or the live electrical parts.
- Avoid contact at all times - even accidentally - with moving machine parts while the machine is running and/or before it comes to a complete standstill
- Wait for the machine to come to a halt before handling it.
- Before any electrical or mechanical maintenance operation, disconnect the unit from the power supply and block the start-up devices.
- To reduce risk of injury, children should not use this product.
- Do not bury the electric cable. Lay the cable so it cannot be damaged by machinery, like mowing machines, etc.
- Do not start the pump before it is correctly connected to the swimming pool.
- To reduce risk of electric shock, change the electric cable immediately when damaged.
- To reduce risks of electric shock, do not use extension cables to connect the pump to a power supply. Connect it to a correctly installed electricity outlet.
- Do not use the pump without water!

INSTALLATION

- Only authorised and qualified personnel should install the pump and its cabling, respecting the current legislation.
- The pump should be installed horizontally, screwing it to the support, to avoid vibration and unwanted noise.
- The pump should be installed far from any corrosive or flammable products.
- The pump should have sufficient drainage to avoid risk of flooding and should be protected from excessive humidity.
- Install independent water inlet and outlet valves.
- Allow for sufficient access space for pump maintenance and make sure that the technical plate of the pump is visible.
- During the installation of the pump, position it so there is 1 meter of free space around it.

ELECTRICITY

- Place the motor on the floor before connecting it to the mains. Otherwise, the motor could cause a serious and even mortal electric shock. Do not place it on the floor over a gas pipe.
- To avoid a dangerous or mortal electric shock, disconnect the power supply of the motor before working on the electrical connections.
- If it short-circuits, this will indicate there is an electricity problem. If it short-circuits and cannot be restarted, ask a qualified electrician to verify and repair the electrical system.
- The pump should be powered from an insulated transformer or via a circuit breaker or residual-current device of 30mA maximum.
- The power supply should exactly correspond to the voltage indicated on the plate of the motor. Incorrect voltage could provoke a fire and/or damage the motor, and would cancel the guarantee. In case of doubt, check with an electrician.
- The electric cable is included and comes with a “Y” connection. If it is necessary to replace the electricity cable, the new cable should also be of the appropriate type. The guarantee will be cancelled in the case of any unauthorised modification of the components.
- The electrical installation has to be according to current legislation.
- If the electrical cable is damaged, the manufacturer, its agent, or any other qualified person should replace it to avoid any damage.
- The pump is equipped with complete thermal protection. Follow the assembly diagram below for correct electrical installation.



- The electrical installation should be done by someone qualified in working with electrical equipment. This device is not designed to be used by children, by physically disabled persons or those with reduced sensorial or psychological ability or by persons without experience or knowledge of the device, unless a persons responsible for safety is in charge of their care and provides them with previous instructions for handling the device. Do not permit children nor adults to sit or lean on the equipment. Children should be supervised to ensure that they do not play with the equipment.
- Adjust the value of the thermal relay appropriately depending on the pump current.
- Unsuitable mains connections involve the risk of electrocution

Assembly of pipes

- The pipes should be assembled before and after the pump and should have diameters equal of above those of the pump inlet. To avoid friction loss, always use 50mm minimum diameter PVC pipe. Increase the diameter for larger pipes.
- The suction and expulsion pipes should never stay connected to the pump.
- Well seal all the connections and the cover of the pump to avoid possible water leaks into the motor, which could damage it.

Tests before starting the pump

Carry out the following operations before starting the pump:

- Check that the power supply as well its frequency correspond to the information of pump specification plate.
- Before starting the pump, fill it with water for self-priming of the pump.
- Check that the mains voltage and frequency correspond with those indicated on the pump characteristics plate
- The pump can continuously work.

Starting the pump

Start the pump only when the suction and expulsion tubes are connected to the inlet and outlet of the pump. Check there are no obstacles in the pipes.

Maintenance and cleaning

- Your new pump does not need any specific or programmed maintenance In the case that the pump is not used during some time, we recommend dismantling it and cleaning it to be kept in a dry and well-aired place.
- If the electrical cable is damaged, the manufacturer, its agent, or any other qualified person to avoid any danger should replace it to avoid any dangers.
- Regularly clean your pump, removing any dirt from the filter so the inlet pipe is not blocked or the

pump damaged.

- Pump components that, due to their normal use, suffer wear and/or tear must be regularly replaced to ensure good pump performance.
- For regular control:
 - Check that the mechanical parts are tightly secured and check the condition of the screws supporting the machine.
 - Check that the power conductors and isolating parts are in their correct position, are secure and in a good state of repair.
Check the temperature of the machine and the electric motor. In the event of a fault, stop the machine immediately and contact the nearest Technical Assistance Service.
 - Check for machine vibrations. In the event of a fault, stop the machine immediately and contact the nearest Technical Assistance

Symptoms	Causes	Solution
The pump does not work	There is no power supply	Use another device that works to check the electricity outlet and check the short-circuit switches
	It has short-circuited	Check the short-circuit switches and replace them if necessary
	The automatic thermal cut-out of the pump has activated to protect it.	Cut the power supply and leave to cool before re-starting the pump. Make sure the pump and motor have sufficient ventilation space. Make sure that the pump is not obstructed by dirt and the motor can turn freely
	The motor has burnt out due to a power supply overload or flooding	You may have to change the motor.
The pump works with reduced or no flow	The pump is blocked (check if the motor turns freely)	Blockage in the pump or in the basket
	The valves are closed	Check the system to make sure that the valves are in the correct position for filtering, including the inlet and outlet valves of the pump.
	The filter is full of dirt	Clean the filter
	Air in the system	Start the pump (see starting procedure). Check to see there are no suction air leaks in the pipes or in the connections. Make sure that the lid of the basket is well closed and hermetically sealed. Check there are no leaks under the pump.
	Lack of water	Make sure that the water level is at least at the height of the skimmer.
	Dirt in the pump or in the skimmer. (Note: Do not make the pump work without the pump or skimmer basket correctly assembled.	Make sure the pump or skimmer baskets are not full of dirt. Make sure there is no blockage at the inlet or outlet of the pump or make sure there are no foreign objects in the pump.
Leak between the casing of the pump and the motor.	The screws of the casing are not tightened. The watertight or metallic gasket is worn.	Cut-out the pump and loosen the screws, check the alignment and the condition of the water-tight gaskets before tightening the screws, replace the gaskets if necessary.
Pre-filter cover	The cover is not correctly closed	-Make sure the lid correctly compresses the O-ring seal.

ES- Bomba de piscina autocebante

INDICACIONES DE SEGURIDAD, LÉALAS ATENTAMENTE

- En todo lo referente a la instalación eléctrica debe seguirse la normativa:

NF C15-100

NF EN 60-335-2-41

que hace referencia "a la construcción de instalaciones eléctricas, tanto en piscinas cubiertas como en piscinas al aire libre", o la normativa análoga vigente en cada zona o país.

• *"Todas las filtraciones siguen la norma de instalación C 15-100 que especifica que todo aparato eléctrico ubicado a menos de 3,5 m de la piscina y accesible libremente debe estar alimentado con muy baja tensión 12 V. Todo aparato alimentado en 220 V debe estar ubicado por lo menos a 3,5 m del borde de la piscina. Pedir permiso del fabricante para toda modificación de uno o varios elementos del sistema de filtración"*

- La instalación eléctrica debe ser hecha por personal profesional cualificado en instalaciones eléctricas.
- No tenga el aparato en marcha mientras utiliza la piscina.
- No toque NUNCA el aparato en marcha con el cuerpo húmedo o las manos húmedas.
- Siempre que deba manipular el aparato, DESCONÉCTELO de la toma de corriente.
- Asegúrese de que el suelo está seco antes de tocar el equipo eléctrico.
- No coloque la bomba donde pueda mojarse, puede causar electrocución.
- No permita ni a niños ni a adultos apoyarse o sentarse sobre el aparato.
- Si el cable flexible de alimentación de este aparato está dañado, debe ser sustituido. Lea detenidamente las instrucciones para su sustitución. Ante la duda consulte con un servicio técnico.

Ese modo de empleo le permite hacer una instalación correcta con un resultado óptimo de su bomba de piscina. Leer atentamente las instrucciones de uso. Su nueva bomba es una bomba centrífuga de una sola etapa, autocebante, concebida para uso con un sistema de filtración de piscina. Se debe utilizar con agua limpia y una temperatura comprendida entre 5°C et 35°C. Está fabricada con materiales de alta calidad sujetos a controles hidráulicos y eléctricos rigurosos. Se asegura una instalación correcta de la bomba siguiendo las instrucciones de este manual. No nos responsabilizamos de los daños causados por un uso distinto a lo explicado en este manual de empleo.

IMPORTANTE

El manual, que usted tiene en sus manos, contiene información fundamental a cerca de las medidas de seguridad a adoptar a la hora de la instalación y la puesta en servicio. Por ello, es imprescindible que tanto el instalador como el usuario lean las instrucciones antes de pasar al montaje y la puesta en marcha.

NORMAS GENERALES DE SEGURIDAD

- Las máquinas citadas en este Manual están especialmente diseñadas para obtener el prefiltrado y la recirculación del agua en las piscinas.
- Efectuar la instalación de acuerdo con las indicaciones particulares de cada implantación.
- Respetar las normas vigentes para la prevención de accidentes.
- Para cualquier modificación en la bomba es requerida la previa autorización del fabricante. Los repuestos originales y los accesorios autorizados por el fabricante sirven para garantizar una mayor seguridad. El fabricante de la bomba queda eximido de toda responsabilidad de los daños ocasionados por

repuestos o accesorios no autorizados.

- Al efectuar el trabajo sobre cada máquina o sobre los equipos a ella ligada, hay que desconectar el equipo de la red eléctrica de alimentación y los dispositivos de arranque, ya que durante el funcionamiento las partes eléctricas de la bomba se encuentran bajo tensión.
- Los trabajos de montaje y mantenimiento deben ser llevados a cabo por personas cualificadas y autorizadas.
- Cumplir lo expuesto en las instrucciones de instalación y servicio para garantizar la seguridad en el funcionamiento de la máquina.
- En caso de funcionamiento defectuoso o avería, diríjase a su proveedor o a la representación más próxima del mismo.
- Si el cable de alimentación está dañado, la sustitución debe efectuarla el fabricante, su servicio posventa o personal cualificado, con el fin de evitar riesgos.

ADVERTENCIAS EN LOS TRABAJOS DE INSTALACIÓN DE MONTAJE

- El equipo se debe conectar a una toma corriente (ver datos en chapa característica de la bomba) con conexión a tierra, protegida con un interruptor diferencial (RCD) con una corriente de funcionamiento residual asignada que no exceda de 30 mA.
- Prestar particular atención a que de ninguna manera entre agua en el motor y en las partes eléctricas en tensión.
- Evitar en todo momento el contacto, incluso accidental, con las partes móviles de la máquina durante el funcionamiento de la misma y/o antes de su parada total.
- Esperar a que la máquina esté completamente parada para realizar cualquier manipulación sobre la misma.
- Desconectar la máquina de la red de alimentación y bloquear los dispositivos de puesta en marcha, antes de proceder a cualquier intervención de mantenimiento eléctrico o mecánico.
- Para limitar los riesgos de lesión, ese producto no debe ser utilizado por niños.
- No enterrar el cable eléctrico. Poner el cable de modo que este no pueda ser dañado por máquinas corta césped, etc....
- No arrancar la bomba antes de que esta esté conectada correctamente a la piscina.
- Para limitar los riesgos de choque eléctrico, no utilizar alargadores para conectar la bomba a la fuente de electricidad. Conectarla en un enchufe eléctrico instalado correctamente.
- No hacer funcionar la bomba sin agua

INSTALACIÓN

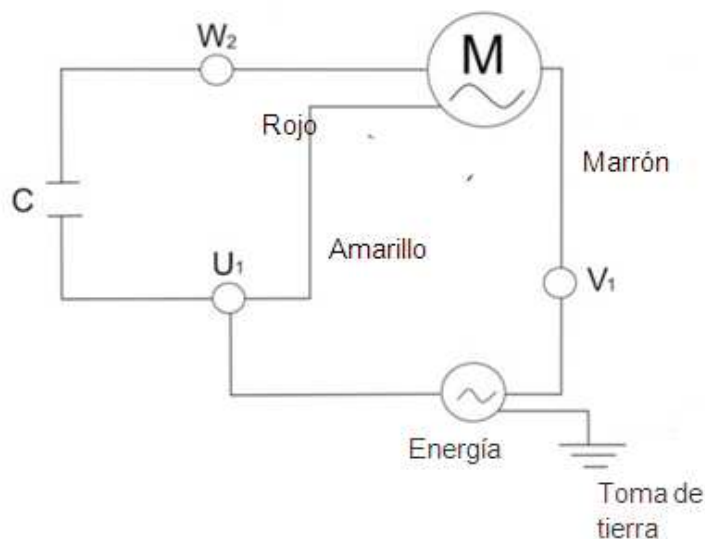
Sólo el personal autorizado y cualificado deberá instalar la bomba y el cableado, respetando las normas vigentes.

- La bomba tendrá que estar instalada horizontalmente, fijándola con tornillos en el soporte, para evitar vibraciones y ruidos molestos.
- La bomba debe estar instalada en un lugar lejos de todo producto corrosivo o inflamable.
- La bomba debe tener un drenaje suficiente para evitar el riesgo de inundación y debe estar protegida de un exceso de humedad.

- Prever válvulas independientes a las de entrada y salida de agua.
- Prever un acceso suficiente para el mantenimiento de la bomba y asegurarse que la etiqueta de datos técnicos de la bomba esté visible.
- Montar la bomba por debajo del nivel del agua de la piscina o estanque para mejorar el rendimiento de las bombas.
- Procurar que la bomba este a salvo de posibles inundaciones y reciba una ventilación de carácter seco
- Durante la instalación de la bomba, posicionarla para tener un espacio libre de 1m a su alrededor.

ELECTRICIDAD

- Poner el motor en el suelo antes de conectarlo a la red. Sino, el motor podrá provocar un choque eléctrico grave y hasta mortal. No ponerlo en el suelo encima de un conducto de gas.
- Para evitar un choque eléctrico peligroso o mortal, desconectar la fuente de electricidad del motor antes de trabajar sobre las conexiones eléctricas.
- Si hay un cortocircuito, eso indicaría un problema eléctrico. Si hay un cortocircuito y no puede arrancar de nuevo, pedir a un electricista cualificado verificar y reparar el sistema eléctrico.
- La bomba debe estar alimentada por un transformador aislado o a través de un diferencial 30mA máximo de corriente residual nominal.
- La tensión de la alimentación debe corresponder exactamente al voltaje indicado en la placa del motor. Una tensión incorrecta podría provocar un incendio y/o dañar el motor, eso anularía la garantía. En caso de duda, consultar a un electricista.
- El cable eléctrico está incluido y viene con una conexión en "Y". Si el cable eléctrico se sustituye, el nuevo cable deberá ser el apropiado. La garantía será anulada en caso de una modificación no autorizada de los componentes.
- La instalación eléctrica tiene que ser conforme a las normas vigentes.
- Si el cable eléctrico está dañado, debe ser sustituido por el fabricante u otra persona cualificada para evitar cualquier peligro.
- La bomba está dotada de una protección térmica integrada. Seguir el montaje del esquema abajo para una conexión eléctrica correcta.



- La instalación eléctrica debe ser hecha por personal profesional cualificado en instalaciones eléctricas. Este dispositivo no está diseñado para ser utilizado por niños, por personas con capacidades físicas, sensoriales o psíquicas reducidas o por personas que carezca de experiencia o de conocimientos, salvo que una persona responsable de su seguridad esté a cargo de su vigilancia y les facilite las instrucciones previas para manejar el dispositivo.
No permita ni a niños ni a adultos apoyarse o sentarse sobre el aparato. Los niños deben ser supervisados para asegurar que no juegan con el equipo.
- Ajustar convenientemente el valor del relé térmico según intensidad de la bomba.
- Peligro de electrocución en caso de una conexión de red no adecuada.

MONTAJE DE LAS MANGUERAS

- Las mangueras deben ser montadas a la entrada y a la salida de la bomba y deben tener diámetros iguales o superiores al de la entrada de la bomba.
Para evitar pérdidas de fricción, el tubo utilizado debe ser de PVC y con un diámetro mínimo de 50mm. Se debe aumentar el diámetro para dimensiones superiores de manguera.
- Las mangueras de aspiración y expulsión no deben en ningún caso quedarse en la bomba.
- Sellar bien todas las conexiones y la tapa de la bomba para evitar pérdidas de agua en el motor, lo cual podría dañarlo.

CONTROLES ANTES DE PONER EN MARCHA LA BOMBA

Antes de poner en marcha la bomba, realizar las siguientes operaciones:

- Verificar que la tensión suministrada así como la frecuencia corresponden a la información de la placa de la bomba.
- Antes de ponerla en marcha, llenar la bomba con agua para la autocebación de la bomba.
- Comprobar que la tensión y la frecuencia de la red se corresponden con las determinadas en la placa de características de la bomba.
- La bomba puede funcionar en continuo.

ARRANQUE DE LA BOMBA

Arrancar la bomba únicamente cuando los tubos de aspiración y de expulsión estén conectados a la entrada y a la salida de la bomba. Verificar que no hay obstáculos en los tubos.

MANTENIMIENTO Y LIMPIEZA

- Su nueva bomba no necesita un mantenimiento o programación específico. En caso de que la bomba no se utilice durante un tiempo, se aconseja desmontarla, limpiarla y colocarla en un lugar seco y bien aireado.
- Si el cable eléctrico está dañado, debe ser sustituido por el fabricante, su agente, o una persona cualificada para evitar cualquier peligro.
- Limpiar su bomba de forma regular quitando la suciedad de su filtro, para que el tubo de entrada no se bloquee y dañe la bomba.

- Los componentes de la bomba que por su uso habitual sufren desgaste y/o deterioro han de ser repuestos periódicamente para mantener el buen rendimiento de la bomba.
- Controlar periódicamente:
 - La correcta sujeción de las partes mecánicas y el estado de los tornillos de soporte de la máquina.
 - La correcta posición, la sujeción y el estado de los conductores de alimentación y de las partes aislantes.
 - La temperatura de la máquina y del motor eléctrico. En caso de anomalía, parar inmediatamente la máquina
 - Las vibraciones de la máquina. En caso de anomalía, parar inmediatamente la máquina

FALLOS

Síntomas	Causas	Solución
La bomba no funciona	No hay corriente.	Utilizar otro aparato que funcione para comprobar.
	El diferencial ha saltado.	Verificar el diferencial y sustituirlo si necesario.
	El paro térmico automático de la bomba se ha activado para proteger el motor.	Cortar la corriente de la bomba y dejar enfriar el motor antes de arrancarlo de nuevo. Asegurarse que la bomba y el motor tienen una ventilación suficiente alrededor. Asegurarse que la bomba no está obstruida por suciedad y que el motor gira libremente.
	El motor se ha quemado a causa de una sobretensión o inundado.	Es posible que se deba cambiar el motor.
La bomba funciona con un caudal reducido o sin caudal.	La bomba está bloqueada (verificar si el motor gira libremente).	Bloqueo en la bomba o en el cesto.
	Las válvulas están en posición cerrada.	Verificar el sistema para asegurar que las válvulas están en posición correcta para filtrar, incluidas las válvulas de entrada y salida de
	El filtro está lleno de suciedad.	Limpiar el filtro
	Aire en el sistema.	Arrancar la bomba (ver procedimiento de arranque) Verificar si no hay fugas de aire en los tubos de aspiración o en las conexiones. Asegurarse que la tapa del cesto está bien cerrada y estanca. Verificar que no hay fugas debajo de la bomba. Verificar que no hay fugas debajo de la bomba.
	Falta de agua.	Asegurarse que el nivel de agua de la piscina esté por lo menos a la altura del skimmer.
	Suciedad en la bomba o en el Skimmer (Nota: no hacer funcionar la bomba sin el cesto de la bomba o del skimmer montados correctamente).	Asegurarse que el cesto de la bomba o skimmer no estén llenos de suciedad. Asegurarse que no hay bloqueo a la entrada y salida de bomba. Asegurarse que no hay objetos en bomba.
Fuga entre el cuerpo de la bomba y el motor	Los tornillos del cuerpo no están bien apretados. La junta de estanqueidad o la junta metálica están desgastados	Cerrar la bomba y aflojar los tornillos. Verificar la alineación y el estado de las juntas de estanqueidad antes de atornillar de nuevo. Sustituir juntas si necesario.
Tapa del prefiltro	La tapa no está cerrada correctamente	Asegurarse que la tapa comprima bien la junta teórica

FR- Pompe de piscine auto-amorçante

INDICATIONS DE SÉCURITÉ, LISEZ-LES ATTENTIVEMENT

- Pour tout ce qui concerne l'installation électrique, il faut suivre les normes:

NF C15-100

NF EN 60-335-2-41

qui ont trait "à la construction d'installations électriques, aussi bien dans des piscines couvertes que dans des piscines en plein air", ou les normes analogues en vigueur dans chaque région ou pays.

- "Toutes les filtrations suivent la norme d'installation NF C 15-100 stipulant que tout appareil électrique situé à moins de 3,50 m du bassin et librement accessible doit être alimenté en très basse tension 12 V. Tout appareil électrique alimenté en 220 V doit être situé au moins à 3,50 m du bord du bassin. Demander l'avis du fabricant pour toute modification d'un ou plusieurs éléments du système de filtration".
- L'installation électrique doit être faite par des professionnels qualifiés en installations électriques.
- Veillez à ce que l'appareil ne soit pas en marche pendant que vous utilisez la piscine.
- Ne faites pas fonctionner l'appareil s'il n'est pas amorcé correctement.
- Ne touchez JAMAIS le pompe en marche si vous avez le corps ou les mains humides.
- Chaque fois que vous devez manipuler le pompe, DÉBRANCHEZ-LES de la prise de courant.
- Vérifiez que le sol est bien sec avant de toucher l'équipement électrique.
- Ne placez pas le pompe dans un endroit où il pourrait être mouillé, cela pourrait causer une électrocution.
- Interdisez aux enfants et aux adultes de s'appuyer ou de s'asseoir sur l'appareil.
- Il faut remplacer le câble flexible d'alimentation de cet appareil, s'il est abîmé. Lisez attentivement les instructions pour le remplacer. Si vous avez un doute quelconque, veuillez consulter un service technique.

Ce mode d'emploi permet une installation correcte et la performance optimale de votre pompe de piscine. Lire cette notice avec attention.

Votre nouvelle pompe est une pompe centrifuge à une seule étape, auto amorçante, conçue pour une utilisation avec un système de filtration de piscine. Cette pompe est conçue pour une utilisation avec de l'eau propre à une température entre 5°C et 35°C. Cette pompe est fabriquée avec des matériaux de haute qualité sujets à des contrôles hydrauliques et électriques rigoureux. Une installation correcte de cette pompe est assurée en suivant ce mode d'emploi. Nous déclinons toute responsabilité pour les dommages dus au non-respect de ce mode d'emploi.

IMPORTANT

Le manuel que vous avez entre les mains contient l'information fondamentale relative aux mesures de sécurité à adopter pour l'installation et la mise en service. Il est pour cela indispensable que l'installateur et l'utilisateur lisent les instructions avant de passer au montage et à la mise en marche.

NORMES GÉNÉRALES DE SÉCURITÉ

- Les machines citées dans ce manuel sont spécialement conçues pour obtenir le préfiltrage et le recyclage de l'eau dans les piscines
- Effectuer l'installation selon les indications particulières de chaque implantation L'autorisation préalable du fabricant est requise pour effectuer toute modification de la pompe. Les pièces de rechange originales et les accessoires autorisés par le fabricant servent à garantir une plus grande sécurité. Le fabricant de la pompe ne saurait être tenu responsable des dommages occasionnés par des pièces de rechange ou des accessoires non autorisés.
- Au moment d'effectuer le travail sur la machine ou sur les équipements qui y sont reliés, débrancher l'équipement du réseau électrique et des dispositifs de démarrage, vu que pendant le fonctionnement, les parties électriques de la pompe sont sous tension.
- Les travaux de montage et de maintenance doivent être réalisés par des personnes qualifiées et autorisées ayant lu au préalable les instructions d'installation et de service avec attention.
- Suivre tout ce qui est exposé dans les instructions d'installation et de service pour garantir la sécurité lors du fonctionnement de la machine.
- En cas de fonctionnement défectueux ou de panne, contactez votre fournisseur ou un de ses représentants le plus proche.
- Si le câble d'alimentation est endommagé, il doit être remplacé par le fabricant, son service après vente ou des personnes de qualification similaire afin d'éviter un danger.
- L'appareil doit être branché sur une prise de courant avec prise de terre, protégé par un interrupteur différentiel (DDR) avec un courant résiduel assigné qui n'excède pas 30mA.
- Faire particulièrement attention à ce que n'entre pas d'eau dans le moteur et dans les parties électriques en tension et ce d'aucune façon.
- Eviter à tout moment le contact même accidentel des parties mobiles de la machine pendant son fonctionnement et/ou avant son arrêt total.
- Attendre que la machine soit complètement arrêtée pour effectuer n'importe quelle manipulation sur elle.
- Débrancher la machine du réseau d'alimentation et bloquer les dispositifs de mise en marche avant de procéder à toute intervention de maintenance électrique ou mécanique.
- Pour limiter les risques de blessures, ce produit ne doit pas être utilisé par des enfants, sauf avec une surveillance rapprochée.
- Ne pas enterrer le fil électrique. Placer le fil de façon à ce qu'il ne soit pas endommagé par les tondeuses, taille-haies et autres appareils.
- Ne pas démarrer la pompe avant qu'elle ne soit raccordée correctement à votre piscine.
- Pour limiter les risques de choc électrique, remplacer le fil électrique tout de suite s'il est abîmé.

Installation

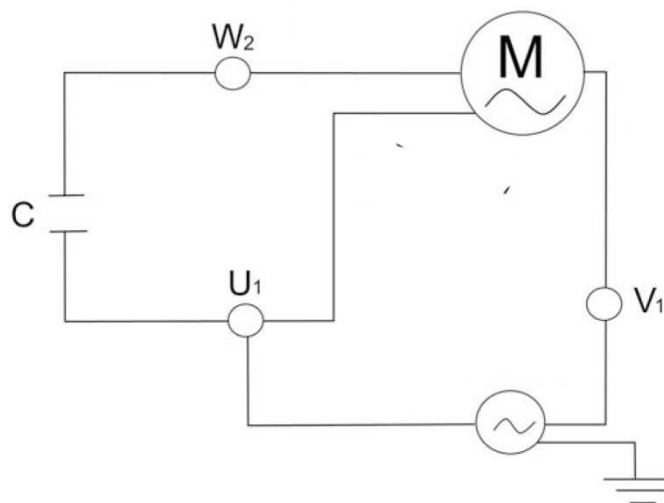
Seul un personnel autorisé et qualifié devra installer la pompe et le câblage, en observant les normes en vigueur.

- La pompe doit être installée horizontalement, en la fixant avec les vis sur le support, ceci pour éviter les vibrations et les bruits nuisibles.

- La pompe doit être installée loin de tout produit corrosif ou inflammable.
- La pompe doit avoir un drainage suffisant pour éviter le risque d'inondation et doit être protégée d'un excès d'humidité.
- Prévoir des vannes indépendantes à l'entrée et à la sortie d'eau.
- Prévoir un accès suffisant pour le maintien de la pompe et s'assurer que l'étiquette de données techniques de la pompe reste visible.
- Lors de l'installation de la pompe, positionner pour avoir un espace libre de 1m tout autour.

Electrique

- Mettre le moteur à terre avant de le brancher à une source électrique. Sinon, le moteur pourra provoquer un choc électrique sévère voir mortel. Ne pas le mettre à terre sur un conduit de gaz.
- Pour éviter le risque de choc électrique dangereux ou mortel, déconnecter la source d'électricité du moteur avant de travailler sur les connexions électriques.
- Le déclenchement d'un disjoncteur indiquerait un problème électrique. Si le disjoncteur se déclenche et ne peut pas être remis, demander à un electricien qualifié de vérifier et de réparer le système électrique.
- La pompe doit être alimentée par un transformateur isolé ou via un disjoncteur de 30mA maximum de courant résiduel nominal.
- La tension d'alimentation doit correspondre exactement au voltage indiqué sur la plaque du moteur. Une tension incorrecte pourrait provoquer un incendie et/ou endommager le moteur, ce qui annulerait la garantie. En cas de doute, consulter un électricien.
- Le fil électrique est fourni avec une connexion de type "Y". Si le fil électrique est remplacé, le nouveau fil doit également être d'un type approprié. La garantie sera annulée en cas de modification non-autorisée de composants.
- L'installation électrique doit être conforme aux normes en vigueur.
- Si le fil électrique est endommagé, il doit être remplacé par le fabricant, son agent, ou toute autre personne qualifiée pour éviter tout danger.
- La pompe est équipée d'une protection thermique intégrée. Suivre le schéma ci-dessous pour un raccordement électrique correct.



- L'installation électrique doit être réalisée par des professionnels qualifiés en installations électriques. Cet appareil n'est pas prévu pour être utilisé par des personnes y compris les enfants dont les capacités physiques, sensorielles ou mentales sont réduites, ou des personnes dénuées d'expérience ou de connaissance, sauf si elles ont pu bénéficier, par l'intermédiaire d'une personne responsable de leur sécurité, d'une surveillance ou d'instructions préalables concernant l'utilisation de l'appareil.
Interdisez aux enfants et aux adultes de s'appuyer ou de s'asseoir sur l'appareil. Les enfants doivent être surveillés afin de s'assurer qu'ils ne jouent pas avec l'appareil.
- Ajuster convenablement la valeur du relais thermique selon l'intensité de la pompe.
- Danger de électrocution en cas de connexion de réseau inadéquate

Assemblage de tuyaux

- Les tuyaux en amont et en aval de la pompe doivent avoir des diamètres égaux ou supérieurs à celui de l'entrée de la pompe. Pour éviter les pertes de frottement, du tuyau en PVC de diamètre 50mm (2in) minimum doit être utilisé. Augmenter le diamètre pour des longueurs plus importantes de tuyau.
- Les tuyaux d'aspiration et de décharge ne doivent en aucun cas rester sur la pompe.
- Bien sceller toutes les connexions et le couvercle de la pompe pour éviter les gouttes d'eau sur le moteur, ce qui pourrait l'endommager.

Contrôles avant démarrage

Avant la mise en marche de la pompe, réaliser les opérations suivantes :

- Vérifier que la tension fournie ainsi que la fréquence correspondent à la plaque se trouvant sur la pompe.
- Avant le démarrage initial, remplir la pompe avec de l'eau pour l'auto-amorçage de la pompe.
- Vérifier que la tension et la fréquence du réseau correspondent à celle que stipule la plaque de caractéristiques de la pompe.
- La pompe peut fonctionner en continu.

Démarrage

Démarrer la pompe seulement lorsque les tuyaux d'aspiration et de décharge sont connectés à l'entrée et à la sortie de la pompe. Vérifier qu'il n'y a pas d'obstacles dans les tuyaux.

Entretien et nettoyage

- Votre nouvelle pompe de piscine n'a pas besoin d'entretien spécial ou de programmation. Dans le cas où la pompe n'est pas utilisée pendant un certain temps, il est conseillé de la démonter, de la nettoyer, et de la ranger dans un endroit sec et bien aéré.
- Si le fil électrique est endommagé, il doit être remplacé par le fabricant, son agent, ou toute autre personne qualifiée afin d'éviter tout danger.
- Nettoyer régulièrement votre pompe en enlevant les débris de votre filtre, afin que le tuyau d'entrée ne bloque pas ou n'endommage pas la pompe.
- Les composants de la pompe, dont l'usage habituel fait qu'ils souffrent d'usure et/ou de détérioration, doivent être changés régulièrement pour maintenir un bon rendement de la pompe
- Contrôler régulièrement :
 - La correcte fixation des parties mécaniques et l'état des vis de support de la machine.
 - La correcte position, la fixation et l'état des conducteurs d'alimentation et des parties isolantes.
 - La température de la machine et du moteur électrique. En cas d'anomalie, arrêter immédiatement la machine et contacter le Service d'Assistance Technique le plus proche.
 - Les vibrations de la machine. En cas d'anomalie, arrêter immédiatement la machine et procéder à contacter le Service d'Assistance

Symptômes	Cause	Solution
La pompe ne fonctionne pas.	Pas de courant à la source électrique.	Utiliser un autre appareil qui fonctionne pour vérifier la prise électrique. Vérifier le disjoncteur.
	Disjoncteur sauté.	Vérifier le disjoncteur et le remplacer si nécessaire.
	L'arrêt automatique thermique de la pompe s'est activé pour protéger le moteur.	Couper le courant à la pompe et laisser refroidir le moteur avant de le redémarrer. S'assurer que la pompe et le moteur ont une ventilation suffisante autour. S'assurer que la pompe n'est pas bloquée par des débris et que l'arbre tourne librement. Il est possible que le moteur soit connecté sur une source de basse tension.
	La pompe est bloquée (vérifier si l'arbre peut tourner librement).	Blocage dans la pompe ou le panier. Les roulements sont bloqués.
La pompe fonctionne avec un débit réduit ou sans débit.	Moteur brûle à cause d'un pic de tension ou inondé par de l'eau.	Il est possible que le moteur doive être remplacé.
	Les vannes sont en position fermée.	Vérifier le système pour s'assurer que les vannes sont dans la bonne position pour filtrer, y compris les éventuelles vannes à l'entrée et à la sortie de la pompe.
	Le filtre est rempli de débris.	Nettoyer le filtre (se référer à la documentation fournie avec votre filtre)
	Air dans le système.	Réamorcer la pompe (voir procédure de réamorçage). Vérifier qu'il n'y a pas de fuites d'air dans les tuyaux d'aspiration ou les connexions. S'assurer que le couvercle du panier est bien fermé et étanche. Vérifier qu'il n'y a pas de fuites en-dessous de la pompe.
	Manque d'eau.	S'assurer que le niveau dans la piscine est au moins à mi-hauteur de l'ouverture du skimmer.
	Débris dans la pompe ou le skimmer. (Note: ne pas faire fonctionner la pompe sans le panier de la pompe ou le panier du skimmer montés correctement).	S'assurer que le panier de la pompe et du skimmer ne sont pas remplis de débris. S'assurer qu'il n'y a pas de blocage à l'entrée ou à la sortie de la pompe. S'assurer que l'intérieur de la pompe n'a pas d'objets qui pourraient bloquer le débit d'eau.
Fuite entre le corps de la pompe et le moteur	Les écrous du corps ne sont pas bien serrés. Le joint d'étanchéité ou le joint mécanique est usé.	Fermer la pompe et desserrer les écrous du corps. Vérifier l'alignement et l'état des joints d'étanchéité avant de resserrer les écrous. Remplacer le joint d'étanchéité si la fuite continue. Remplacer le joint mécanique.
Fuite d'eau au couvercle du pré-filtre	Le couvercle n'est pas vissé correctement.	S'assurer que le couvercle comprime le joint torique.

DE- Selbstansaugende Schwimmbadpumpe

SICHERHEITSHINWEISE, BITTE AUFMERKSAM LESEN+

- Bei der gesamten Installation elektrischer Komponenten muss folgende Norm befolgt werden:

NF C15-100

NF EN 60-335-2-41

Diese Norm bezieht sich auf *“den Aufbau von elektrischen Installationen in Hallenbädern und Freibädern”*. Ebenso müssen die Normen befolgt werden, die in jeder Region oder jedem Land anwendbar sind.

“Alle Filtereinrichtungen entsprechen der Norm für die Installation C 15-100, die angibt, dass alle elektrischen Apparate, die sich in weniger als 3,5 m Entfernung vom Schwimmbad befinden und frei zugänglich sind, mit einer Niederspannung von 12 V gespeist werden müssen. Alle Apparate, die mit 220 V gespeist werden, müssen sich mindestens 3,5 m vom Rand des Schwimmbeckens entfernt befinden. Wenn ein oder mehrere Elemente des Filtersystems geändert werden sollen, muss der Hersteller die entsprechende Genehmigung erteilen”

- Die elektrische Installation muss von Fachleuten für elektrische Installationen durchgeführt werden.
- Lassen Sie den Apparat nicht angeschaltet, wenn Sie das Schwimmbecken benutzen.
- Lassen Sie den Apparat nie laufen, ohne ihn vorher korrekt gefüllt zu haben.
- Berühren Sie NIE den eingeschalteten Apparat, wenn Ihr Körper oder Ihre Hände nass sind.
- Immer, wenn Sie am Pumpe, UNTERBRECHEN Sie die Stromverbindung.
- Vergewissern Sie sich, dass der Boden trocken ist, bevor Sie die elektrische Ausrüstung berühren.
- Setzen Sie den Pumpe nie dort ein, wo er nass werden kann. Das kann zu einem tödlichen Stromschlag führen.
- Erlauben Sie nicht, dass sich Kinder oder Erwachsene an den Apparat anlehnen oder auf ihn setzen.
- Wenn das flexible Kabel für den Stromanschluss beschädigt ist, muss es ausgetauscht werden. Lesen Sie aufmerksam die Anweisungen für den Austausch. Im Zweifelsfalle ist der Kundendienst zu befragen.

Diese Gebrauchsanweisung ermöglicht es Ihnen die Schwimmbadpumpe korrekt zu installieren und korrekt zu nutzen. Lesen Sie diese Gebrauchsanweisung aufmerksam durch.

Ihre neue Pumpe ist eine Zentrifugalpumpe mit nur einer Phase, die zusammen mit einem Schwimmbadfiltersystem benutzt wird. Die Pumpe ist für den Gebrauch in sauberem und klarem Wasser bei einer Temperatur zwischen 5° und 35° C gedacht. Die Pumpe wurde aus qualitativ hochstehenden Materialien gefertigt, die hydraulische und elektrische Tests bestanden haben. Wenn Sie der vorliegenden Anweisung folgen, ist die korrekte Installation sichergestellt. Wir haften nicht für Schäden, die aus unsachgemäßem Gebrauch gemäß der hier vorliegenden Anweisung entstehen.

WICHTIG

Dieses Handbuch enthält wesentliche Informationen über die Sicherheitsvorkehrungen, die bei der Installation und

Inbetriebnahme zu treffen sind. Daher ist es unbedingt erforderlich, dass sowohl der Installateur als auch der

Benutzer vor Beginn der Montage und Inbetriebnahme diese Anweisungen lesen.

ALLGEMEINE SICHERHEITSBESTIMMUNGEN

- Die in diesem Handbuch behandelten Maschinen sind speziell für die Vorfiltration und die Umwälzung des Wassers in Schwimmbecken ausgelegt.
- Installation gemäß den besonderen Bedingungen jedes Einsatzortes realisieren.
- Vor jeder Änderung an der Pumpe muss die Genehmigung des Herstellers eingeholt werden. Die Original-Ersatzteile und das vom Hersteller zugelassene Zubehör gewährleisten einen hohen Sicherheitsgrad. Der Hersteller der Pumpe lehnt jede Haftung für Schäden aufgrund des Einsatzes von nicht zugelassenen Ersatz- oder Zubehörteilen ab.
- Bei Arbeiten an der Maschine oder daran angeschlossenen Baugruppen müssen sie vorher vom Netz und den Inbetriebnahmevorrichtungen getrennt werden, da während des Betriebs die elektrischen Teile der Pumpe unter Spannung stehen.
- Montage- und Wartungsarbeiten müssen von zugelassenen Fachkräften ausgeführt werden, die vorher die
- Installations- und Betriebsanleitungen aufmerksam gelesen haben. Installations- und Betriebsanweisungen einhalten, um die Betriebssicherheit der Maschine zu gewährleisten.
- Bei Betriebsstörungen oder Defekten wenden Sie sich an den Lieferanten oder die nächstgelegene Vertretung.
- Wenn das Netzkabel beschädigt ist, muss der Austausch vom Hersteller, dessen Kundendienst oder durch qualifiziertes Personal durchgeführt werden, um eine Gefährdung zu vermeiden.
- Das Gerät muss an eine geerdete Steckdose angeschlossen werden, die durch einen Differenzschalter (DDR) mit einem Reststrom von maximal 30 mA geschützt ist.
- Insbesondere darauf achten, dass unter keinen Umständen Wasser in den Motor und die spannungsführenden Teile eindringen kann.
- Unter keinen Umständen - auch nicht unbeabsichtigt - die beweglichen Teile der Maschine während des Betriebs bzw. vor ihrem völligen Stillstand berühren.
- Vor Arbeiten an der Maschine abwarten, bis sie vollkommen zum Stillstand gekommen ist.
- Vor elektrischen oder mechanischen Wartungsarbeiten Maschine vom Netz trennen und Einschaltvorrichtungen blockieren
- **VORSICHTSMASSNAHMEN:** Stromkabel nicht vergraben. Kabel so verlegen, dass es von Maschinen wie Rasenmähern und Ähnlichem nicht beschädigt werden kann.
- Pumpe nicht anschalten, bevor sie korrekt am Schwimmbad angebracht wurde.
- Um Elektroschocks vorzubeugen, tauschen Sie das Stromkabel sofort aus, wenn es beschädigt ist.
- Um Elektroschocks vorzubeugen, verwenden Sie keine Verlängerungskabel, um die Pumpe an das Stromnetz anzuschließen. Schließen Sie die Pumpe an eine korrekt installierte Steckdose an.

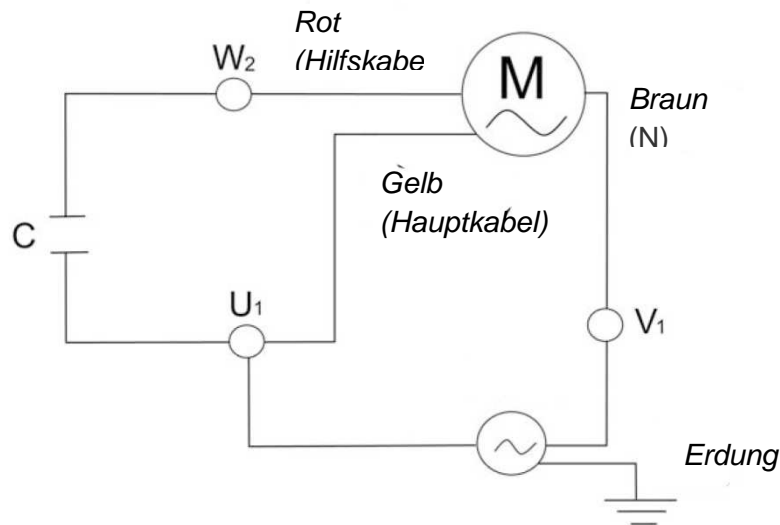
Installation

Nur dazu autorisiertes und qualifiziertes Personal sollte die Pumpe und die Kabel gemäß den geltenden Normen installieren.

- Die Pumpe muss horizontal angebracht werden, wobei sie mit Schrauben an der Halterung festgemacht wird, um Vibrationen und Lärm zu vermeiden.
- Die Pumpe darf nicht in der Nähe von korrosiven oder entflammenden Materialien angebracht werden.
- Die Pumpe muss genügend Drainage aufweisen, um Überflutungen zu vermeiden. Sie sollte vor Feuchtigkeit geschützt werden.
- Bitte bedenken Sie, dass zusätzliche Ventile zu jenen für den Wasserein- und ausfluss nötig sind.
- Bitte stellen Sie sicher, dass Sie für Wartungsarbeiten an der Pumpe gut zukommen und dass die Etikette mit den technischen Daten gut sichtbar angebracht ist.
- Während der Installation brauchen Sie ungefähr 1 Meter Platz rund um die Pumpe.

Strom

- Motor auf den Boden stellen, ehe Sie ihn an das Stromnetz anschließen. Sonst könnte der Motor Elektroschocks, die auch tödlich sein können, hervorrufen. Nicht auf eine Gasleitung stellen.
- Um Elektroschocks vorzubeugen, nehmen Sie die Pumpe vom Strom, ehe Sie Arbeiten am Elektroanschluss durchführen.
- Wenn die Sicherung durchbrennt, liegt ein Elektroproblem vor. Wenn die Sicherung durchbrennt und Sie sie nicht mehr anschalten können, müssen Sie einen qualifizierten Elektriker beiziehen, um das Stromsystem zu reparieren.
- Die Pumpe muss durch einen isolierten Transformator oder ein Sicherungssystem mit 30mA nominalem Reststrom gesichert sein.
- Die Spannung muss genau der auf dem Motor angegebenen entsprechen. Eine inkorrekte Spannung kann einen Brand auslösen oder den Motor beschädigen, wobei die Garantie annulliert wird. Bei Fragen, wenden Sie sich an einen Elektriker.
- Das Stromkabel wird mitgeliefert und weist einen Y-Anschluss auf. Wenn Sie das Stromkabel austauschen, achten Sie darauf, dass es sich um ein geeignetes handelt. Die Garantie wird im Falle von unerlaubten Änderungen annulliert.
- Der Stromanschluss muss den geltenden Richtlinien entsprechen.
- Wenn das Stromkabel beschädigt ist, müssen Sie es durch den Fabrikanten, einen Vertreter oder eine andere qualifizierte Fachperson ersetzen lassen, um Gefahren zu vermeiden.
- Die Pumpe weist einen thermischen Schutz auf. Folgen Sie den Schritten in folgendem Schema, um die Pumpe korrekt ans Stromnetz anzuschließen.



- Dieses Gerät ist nicht gedacht für die Verwendung durch Kinder, durch Menschen mit eingeschränkten körperlichen, sensorischen oder geistigen Fähigkeiten oder Personen, denen die Erfahrung oder Kenntnisse fehlen, es sei denn, eine Person, die für deren Sicherheit verantwortlich ist, übernimmt deren Überwachung und gibt ihnen vorab Anweisungen, wie das Gerät zu betreiben ist.
- Den Thermorelaiswert
- Bei falschem Netzanschluss besteht Stromschlagrisiko.

Schlauchanschluss.

Vor der Inbetriebnahme der Pumpe die folgenden Abläufe ausführen:

- Die Schläuche müssen vor und nach der Pumpe angebracht werden, wobei sie den gleichen oder einen größeren Durchmesser haben müssen, als jene beim Pumpeingang. Um Reibungsverluste zu vermeiden muss der PVC-Schlauch einen Durchmesser von mindestens 50mm aufweisen. Durchmesser erhöhen, um größere Schläuche anpassen zu können.
- Die An- und Absaugschläuche dürfen auf keinen Fall in der Pumpe bleiben.
- Alle Anschlüsse und Deckel der Pumpe gut verschließen, um Lecke zu vermeiden, die den Motor beschädigen könnten.

Kontrollen vor Gebrauch

- Überprüfen Sie, ob die Spannung und Frequenz den Hinweisen auf der Pumpe entsprechen.
- Füllen Sie die Pumpe vor Gebrauch mit Wasser, um den Selbstansaugeffekt auszulösen.
- Prüfen, dass die Spannung und Frequenz des Netzes dem Typenschild der Pumpe entsprechen.
- Die Pumpe kann andauernd laufen.

Inbetriebsetzung der Pumpe

Pumpe nur anschalten, wenn der An- und Absaug Schlauch korrekt am Eingang und Ausgang der Pumpe angebracht sind. Überprüfen Sie, dass die Schläuche nicht verstopft sind.

Wartung und Reinigung

- Ihre neue Pumpe benötigt keine spezifische Wartung und Reinigung. Falls die Pumpe längere Zeit nicht benutzt wird, sollten Sie sie abbauen und an einem trockenen und gut gelüfteten Ort aufbewahren.
- Wenn das Stromkabel beschädigt ist, müssen Sie es durch den Fabrikanten oder einen Vertreter oder eine andere qualifizierte Fachperson ersetzen lassen, um Gefahren zu vermeiden.
- Reinigen Sie Ihre Pumpe regelmäßig, damit der Ansaugschlauch nicht verstopft und die Pumpe beschädigt wird.
- Die Bauteile der Pumpe mit normalem Verschleiß bzw. Abnutzung müssen regelmäßig ersetzt werden, damit die Leistungsfähigkeit der Pumpe nicht beeinträchtigt wird
- Regelmäßig kontrollieren:
 - die korrekte Befestigung der mechanischen Teile und den Zustand der Befestigungsschrauben der Maschine.
 - die korrekte Position, Befestigung und den Zustand der Netzkabel und Isolierungen.
 - die Temperatur der Maschine und des Elektromotors. Bei Störungen die Maschine sofort ausschalten und wenden Sie sich bitte an die nächste Kundendienst.
 - Vibrationen an der Maschine. Bei Störungen die Maschine sofort ausschalten und wenden Sie sich bitte an die nächste Kundendienst.

Problem	Grund	Lösung
Die Pumpe funktioniert nicht.	Kein Strom	Benutzen Sie ein anderes Gerät und überprüfen Sie so die Steckdose. Überprüfen Sie die Sicherungen.
	Die Sicherung ist durchgebrannt.	Überprüfen Sie die Sicherung und ersetzen Sie sie falls nötig.
	Die Überhitzungsautomatik der Pumpe hat sie zum Schutz ausgeschaltet.	Pumpe vom Strom nehmen und den Motor abkühlen lassen, ehe Sie die Pumpe erneut in Betrieb setzen. Stellen Sie sicher, dass die Pumpe und der Motor genügend belüftet werden. Stellen Sie sicher, dass die Pumpe nicht verschmutzt ist und der Motor frei dreht.
	Der Motor ist aufgrund von Überspannung oder Wasser verbrannt.	Eventuell müssen Sie den Motor ersetzen.
Die Pumpe funktioniert mit einer verringerten Austoßmenge oder ohne Austoß.	Die Pumpe ist verstopft (stellen Sie sicher, dass der Motor frei dreht)	Pumpe oder Korb verstopft.
	Ventile sind geschlossen.	Überprüfen Sie das System und stellen Sie sicher, dass die Ventile offen sind, darunter insbesondere die Pumpeingangs- und -ausgangsventile.
	Der Filter ist verschmutzt.	Filter reinigen
	Luft im System.	Pumpe anstellen (s. Inbetriebnahme). Überprüfen Sie, ob es Luftlecke im Ansaugrohr oder an den Anschlüssen gibt. Stellen Sie sicher, dass der Korbdeckel gut geschlossen und dicht ist. Überprüfen Sie die Pumpe auf Lecks unten.
	Wassermangel.	Stellen Sie sicher, dass der Wasserpegel des Schwimmbades mindestens bis zur Hälfte des Skimmers kommt.
	Pumpe oder Skimmer verstopft. (Hinweis: Pumpe nicht in Betrieb setzen, wenn Korb oder Skimmer nicht richtig angebracht sind.)	Stellen Sie sicher, dass die Pumpe und der Skimmer nicht verschmutzt sind. Stellen Sie sicher, dass der Eingang und Ausgang der Pumpe nicht verstopft ist oder die Pumpe nicht blockiert wird.
Leck zwischen Pumpengehäuse und Motor	Die Schrauben des Gehäuses sind nicht gut angeschraubt. Die Dichtungen sind abgenutzt.	Stellen Sie sicher, dass die Pumpe und der Skimmer nicht verschmutzt sind. Stellen Sie sicher, dass der Eingang und Ausgang der Pumpe nicht verstopft ist oder die Pumpe nicht blockiert wird.
Vorfilterdeckel	Der Deckel ist nicht richtig verschlossen.	Stellen Sie sicher, dass der Deckel den O-Ring gut festdrückt.

IT- Pompe de piscine auto-amorçante

INDICAZIONI DI SICUREZZA, LEGGERE ATTENTAMENTE

- Per quanto riguarda l'installazione elettrica, si renderà necessario adempiere alla seguente normativa:

NF C15-100

NF EN 60-335-2-41

che si riferisce "alla costruzione di installazioni elettriche, sia per piscine coperte sia per piscine all'aria aperta", o la normativa analoga in vigore in ciascuna zona o paese.

- *"Tutti i filtri adempiono alla norma di installazione C 15-100 che specifica che ogni apparecchio elettrico ubicato a meno di 3,5 m dalla piscina e liberamente accessibile deve essere alimentato con una tensione molto bassa da 12 V. Ogni apparecchio alimentato a 220 V deve essere ubicato a un minimo di 3,5 m dal bordo della piscina. Si renderà necessario richiedere l'autorizzazione del fabbricante per qualsiasi modifica di uno o più elementi del sistema di filtraggio"*
- L'installazione elettrica deve essere realizzata da personale professionale qualificato per installazioni elettriche.
- No mantenere l'apparecchio in marcia mentre si utilizza la piscina.
- Non far funzionare l'apparecchio se questo non è stato allacciato in forma corretta.
- Non toccare MAI l'apparecchio in marcia con il corpo umido o con le mani umide.
- Ogni volta che si debba manipolare l'apparecchio, si renderà necessario DISINSERIRLO dalla presa di corrente.
- Si assicuri che il suolo sia asciutto prima di toccare l'apparecchio elettrico.
- Non collochi l'apparecchio dove possa bagnarsi, giacché potrebbe causare scosse elettriche.
- Non consenta né a bambini né a adulti di appoggiarsi o sedersi sull'apparecchio.
- Se il cavo flessibile dell'alimentazione di questo apparecchio è danneggiato, si dovrà procedere alla sua sostituzione. Legga attentamente le istruzioni per la sostituzione. In caso di dubbi, si rivolga al servizio tecnico.

Quest'istruzioni per l'uso permettono un impianto corretto e la prestazione ottimale della vostra pompa di piscina. Leggere questa nota attentamente. La vostra nuova pompa è una pompa centrifuga ad una sola tappa, macchina innescando, concepita per un utilizzo con un sistema di filtrazione di piscina. Questa pompa è concepita per un utilizzo con l'acqua propria di una temperatura tra 5°C e 35°C. Questa pompa è fabbricata con materiali di alta qualità argomentati a controlli idraulici ed elettrici rigorosi. Un impianto corretto di questa pompa è garantito seguendo questi istruzioni per l'uso. Decliniamo qualsiasi responsabilità per i danni dovuti all'inosservanza di quest'istruzioni per l'uso.

IMPORTANTE

Il presente manuale contiene informazioni fondamentali sulle misure di sicurezza da adottare durante l'installazione e la messa in servizio. È pertanto imprescindibile che l'installatore e l'utente leggano le istruzioni prima di procedere al montaggio e all'avviamento.

NORME GENERALI DI SICUREZZA

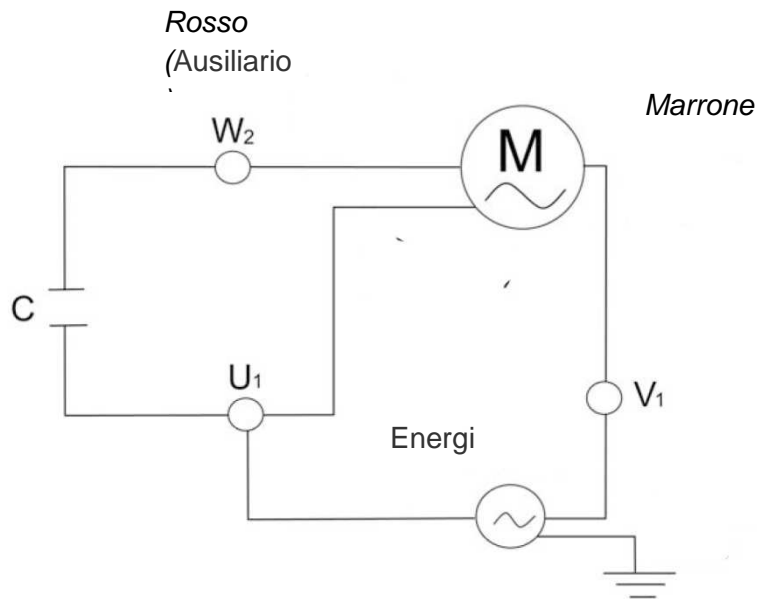
- Le macchine indicate in questo manuale sono appositamente progettate per la filtrazione preliminare e il ricircolo dell'acqua nelle piscine.
- L'installazione va effettuata secondo le indicazioni specifiche di ogni impianto.
- Per qualsiasi modifica della pompa è necessaria l'autorizzazione previa del fabbricante. Lo scopo dei ricambi originali e degli accessori autorizzati dal fabbricante è quello di garantire una maggiore sicurezza. Il fabbricante della pompa declina ogni responsabilità per danni causati da ricambi o accessori non autorizzati.
- Prima di effettuare il lavoro su una macchina o sui dispositivi ad essa collegati, è necessario scollegare l'apparecchiatura dalla rete elettrica e dai dispositivi di avvio, dato che durante il funzionamento le parti elettriche della pompa sono sotto tensione.
- I lavori di montaggio e mantenimento devono essere effettuati da personale qualificato e autorizzato, dopo aver letto attentamente le istruzioni di installazione e di manutenzione.
- Rispettare quanto illustrato nelle istruzioni di installazione e manutenzione al fine di garantire la sicurezza nel funzionamento della macchina.
- In caso di funzionamento difettoso o di guasto, rivolgersi al fornitore o al suo rappresentante più vicino.
- Qualora il cavo di alimentazione risultasse danneggiato, deve essere sostituito dal produttore, dal servizio post-vendita o da personale qualificato, onde evitare rischi.
- Il dispositivo deve essere connesso a una presa di corrente con messa a terra, protetta da un interruttore differenziale (DDR) con una corrente residua che non superi i 30 mA.
- Fare attenzione a che l'acqua non penetri nel motore e nelle parti elettriche in tensione
- Durante il funzionamento e/o prima dell'arresto completo della macchina, evitare in ogni momento il contatto, anche accidentale, con le parti mobili della macchina.
- Per lo svolgimento di qualsiasi intervento sulla macchina, attenderne il completo arresto.
- Scollegare la macchina dalla rete elettrica e bloccare i dispositivi di avvio prima di procedere a qualunque intervento di manutenzione elettrica o meccanica.
- Per limitare i rischi di ferite, questo prodotto non deve essere utilizzato da bambini, eccetto con una sorveglianza avvicinata.
- Non seppellire il filo elettrico. Mettere il filo in modo che non sia danneggiato dalle tosatrici, dimensione-barriera ed altri apparecchi.
- Non iniziare la pompa prima che sia collegata correttamente alla vostra piscina.
- Per limitare i rischi di scossa elettrica, sostituire il filo elettrico immediatamente se è danneggiato.

Impianto

- Solo un personale autorizzato e qualificato dovrà installare la pompa ed il cablaggio, osservando le
- norme in vigore.
- La pompa deve essere installata orizzontalmente, fissandola con le viti sul supporto, questo per evitare le vibrazioni ed i rumori nocivi.
- La pompa deve essere installata lontano da ogni prodotto corrosivo o infiammabile.
- La pompa deve avere uno scarico sufficiente per evitare il rischio d'inondazione e deve essere protetta
- di un eccesso d'umidità.
- Prevedere valvole indipendenti all'entrata ed all'uscita d'acqua.
- Prevedere un accesso sufficiente per il mantenimento della pompa ed assicurarsi che l'etichetta di dati
- tecnici della pompa resti visibile.
- In occasione dell'impianto della pompa, piazzare per avere uno spazio libero di 1m molto intorno.

Elettricità

- Mettere il motore a terra prima di collegarlo ad una fonte elettrica. Altrimenti, il motore potrà causare una scossa elettrica rigorosa vedere mortale. Non metterlo a terra su un condotto di gas.
- Per evitare il rischio di scossa elettrica pericolosa o mortale, staccare la fonte d'elettricità d u motore prima di lavorare sui collegamenti elettrici.
- L'emissione di un interruttore indicherebbe un problema elettrico. Se l'interruttore si inizia e non può essere rimesso, chiedere ad un elettricista qualificato di verificare e riparare il sistema elettrico.
- La pompa deve essere alimentata da un trasformatore isolato o via un interruttore di 30mA massimo di corrente residua nominale.
- La tensione d'alimentazione deve corrispondere esattamente alla tensione indicata sulla targa del motore.
- Una tensione sbagliata potrebbe causare un incendio e/o danneggiare il motore, cosa che annullerebbe la garanzia. In caso di dubbio, consultare un elettricista.
- Il filo elettrico è fornito con un collegamento di tipo "Y". Se il filo elettrico è sostituito, il nuovo filo deve anche essere di un tipo adeguato. La garanzia sarà annullata in caso di modifica non autorizzata di componenti.
- L'impianto elettrico deve essere conforme alle norme in vigore.
- Se il filo elettrico è danneggiato, deve essere sostituito da fabbricante, il suo agente, o qualsiasi altra persona qualificata per evitare ogni pericolo.
- La pompa è fornita d' una protezione termica integrata. Seguire lo schema qui di seguito per un collegamento elettrico corretto.



- L'installazione elettrica deve essere eseguita da personale professionale qualificato in installazioni elettriche. Questo dispositivo non è progettato per essere utilizzato da bambini, da persone con disabilità fisiche, sensoriali o psichiche o da persone prive di esperienza o di competenza, fatta eccezione nel caso in cui una persona responsabile vigili su di loro e fornisca le istruzioni necessarie per maneggiare il dispositivo. Non permetta né ai bambini né agli adulti di appoggiarsi o di sedersi sull'attrezzatura. I bambini devono essere controllati per assicurarsi che non giochino con l'attrezzatura.
- Regolare adeguatamente il valore del relè termico in base alla potenza della pompa.
- Pericolo di folgorazione in caso di collegamento a una rete non idonea.

Assemblaggio di condotti

- I condotti a monte ed a valle della pompa devono avere diametri uguali o superiori a quello dell'entrata della pompa. Per evitare le perdite d'attrito, del condotto in Pvc di diametro 50mm (2in) minimo deve essere utilizzato. Aumentare il diametro per lunghezze più importanti di condotto.
- I condotti d'aspirazione e di scarico non devono mai restare sulla pompa.
- Bene sigillare tutti i collegamenti ed il coperchio della pompa per evitare le gocce d'acqua sul motore, cosa che potrebbe danneggiarla.

Controlli prima dell'avviamento

Prima di avviare la pompa, svolgere le seguenti operazioni:

- Verificare se la tensione fornita come la frequenza corrisponde alla targa che si trova sulla pompa.
- Prima dell'avviamento iniziale, riempire la pompa con l'acqua per il auto-amorçage della pompa.
- Verificare che la tensione e la frequenza della rete corrispondano a quelle riportate nella targhetta delle caratteristiche della pompa.
- La pompa può funzionare di continuo.

Avviamento

Iniziare la pompa soltanto quando i condotti d'aspirazione e di scarico sono collegati all'entrata ed all'uscita della pompa. Verificare se non ci sono ostacoli nei condotti.

Mantenimento e pulizia

- La vostra nuova pompa di piscina non ha bisogno d'intervista speciale o di programmazione. Nel caso o la pompa non è utilizzato durante un certo tempo, è consigliato di smontarla, di pulirla, e di sistemarla in un posto secco.
- Se il filo elettrico è danneggiato, deve essere sostituito da fabbricante, il suo agente, o qualsiasi altra persona qualificata per evitare ogni pericolo.
- Pulire regolarmente la vostra pompa togliendo gli avanzi del vostro filtro, affinché il condotto d'entrata non blocchi o non danneggi la pompa.
- Per mantenere il buon rendimento della pompa, sostituirla periodicamente i componenti che, per l'uso normale, sono soggetti a usura e/o deterioramento.
- Controllare periodicamente:
 - La sede corretta delle parti meccaniche e lo stato delle viti di sostegno della macchina.
 - La corretta posizione, la sede e lo stato dei conduttori di alimentazione e delle parti isolanti.
 - La temperatura della macchina e del motore elettrico. In caso di anomalia, arrestare immediatamente la macchina e rivolgersi al Servizio di Assistenza Tecnica più vicino.
 - Le vibrazioni della macchina. In caso di anomalia, arrestare immediatamente la macchina e rivolgersi al Servizio di Assistenza Tecnica più vicino.

Sintomi	Causa	Soluzione
La pompa non funziona.	Non una corrente alla fonte elettrica.	Utilizzare un altro apparecchio che funziona per verificare la presa elettrica. Verificare l'interruttore
	Interruttore saltato	Verificare l'interruttore e sostituirlo se necessario
	L'arresto automatico termico della pompa si è attivato per proteggere il motore	Tagliare la corrente alla pompa e lasciare raffreddare il motore prima di Ricominciare. Assicurarsi che la pompa ed il motore abbiano una ventilazione sufficiente intorno. Assicurarsi che la pompa non sia bloccata da avanzi e che l'albero gira liberamente
	Motore bruciato a causa di un picco di tensione o inondato dall'acqua	È possibile che il motore debba essere sostituito
La pompa funziona con un flusso ridotto o senza flusso	La pompa è bloccata (verificare se il motore può girare liberamente)	Blocco nella pompa o il canestro. I rotolamenti sono bloccati.
	Le valvole sono in posizione chiusa	Verificare il sistema per assicurarsi che le valvole siano nella buona posizione per filtrare, comprese le eventuali valvole all'entrata ed all'uscita della pompa.
	Il filtro è riempito di avanzi.	Pulire il filtro (riferirsi alla documentazione fornita con il vostro filtro).
	Aire nel sistema..	Ricominciare la pompa (vedere procedura di Ricominciare). Verificare se non ci sono fughe 'aria nei condotti d'aspirazione do i collegamenti. Assicurarsi che il coperchio del canestro sia bene chiuso e stagno. Verificare se non ci sono fughe sotto la pompa.
	Mancanza d'acqua.	Assicurarsi che il livello sia almeno a metà-altezza dell'apertura del skimmer.
	Avanzi nella pompa o il skimmer. (Nota: non fare funzionare la pompa senza il canestro della pompa o il canestro del skimmer montati correttamente)	Assicurarsi che il canestro della pompa e del skimmer non sia riempito avanzi. Assicurarsi che non ci siano blocchi all'entrata o all'uscita della pompa. Assicurarsi che l'interno della pompa non abbia oggetti che potrebbero bloccare il flusso d'acqua.
Fuga tra il corpo della pompa ed il motore	Le noci del corpo non sono strette. Il giunto di tenuta o il giunto meccanico è consumato.	chiudere la pompa e staccare le noci del corpo. Verificare l'allineamento e lo stato dei giunti di tenuta prima di stringere le noci.
Fuga d' acqua al coperchio del prefiltro	Il coperchio n' non è avvitato correttamente.	Garantire che il coperchio comprime il giunto

NL- Zelfaanzuigende zwembadpomp

DE VEILIGHEIDSAANWIJZINGEN AANDACHTIG DOORNEMEN

Voor alles wat de elektrische installatie betreft moet de norm

EN C15-100

NF EN 60-335-2-41

gevolgd worden die betrekking heeft op “de aanleg van elektrische installaties, zowel voor overdekte zwembaden als voor openlucht zwembaden”, of de desbetreffende norm van ieder land of regio afzonderlijk.

- Voor alle filters moet de installatienorm C15-100 gevolgd worden die duidelijk specificeert dat ieder willekeurig elektrisch apparaat dat zich op minder dan 3,5 m afstand van het zwembad bevindt en waar het publiek vrij toegang toe heeft, op een laag voltage van 12V werkt. Elk apparaat dat werkt op een voltage van 220V moet op zijn minst op een afstand van 3,5 m van de rand van het zwembad geplaatst worden. Voor het veranderen van een of meerdere elementen van het filtersysteem moet toestemming aan de fabrikant gevraagd worden
- De elektrische installatie moet aangelegd worden door vakmensen, gespecialiseerd in elektrische installaties.
- Het apparaat mag niet in werking zijn wanneer het zwembad in gebruik is.
- Het apparaat niet laten werken als het niet op correcte wijze aan de gang gebracht is.
- NOOIT met een nat lichaam of natte handen het werkende filter aanraken.
- Alvorens enig elektrisch toestel aan te raken eerst controleren of de grond droog is.
- Het apparaat nooit plaatsen waar het nat kan worden, dit kan electrocutie veroorzaken.
- Verbied kinderen en volwassenen om op het apparaat te gaan zitten of er tegen aan te leunen.
- Als het buigbare snoer van dit apparaat beschadigd is, moet het vervangen worden. Lees hiertoe aandachtig de instructies ter vervanging van het snoer. Bij eventuele twijfel de technische dienst raadplegen.

Deze gebruiksaanwijzing laat toe om een correcte installatie van de zwembadpomp uit te voeren en een optimaal resultaat te bekomen. Lees aandachtig deze gebruiksaanwijzing.

Uw nieuwe pomp is een zelfaanzuigende ééntraps-centrifugaalpomp die is ontworpen om te worden gebruikt met een filtersysteem voor het zwembad. De pomp is geschikt voor zuiver water met een temperatuur die ligt tussen de 5°C en 35 °C en vervaardigd uit hoge kwaliteitsmaterialen die onderhevig zijn aan strenge elektrische en hydraulische controles. Een juiste installatie wordt verzekerd indien men de aanwijzingen in deze handleiding volgt. We kunnen niet verantwoordelijk worden gesteld voor de opgelopen schade indien men de pomp voor andere doeleinden gebruikt dan die beschreven in deze gebruiksaanwijzing.

BELANGRIJK

Deze handleiding omvat belangrijke informatie omtrent de in acht te nemen veiligheidsmaatregelen voor de installatie en de inwerkingstelling. Het is dan ook noodzakelijk dat de installateur en de gebruiker de instructies lezen alvorens over te gaan tot de montage en de inwerkingstelling.

ALGEMENE VEILIGHEIDSNORMEN

- De machines waarnaar wordt verwezen in deze handleiding zijn speciaal ontworpen voor het voorfiltreren en het recycleren van water in zwembaden.
- Volg bij elke installatie de specifieke aanbevelingen op.
- De voorafgaande toestemming van de fabrikant is vereist voor eender welke wijziging aan de pomp. De originele wisselstukken en de toebehoren erkend door de fabrikant staan garant voor een betere veiligheid. De pompfabrikant kan niet aansprakelijk worden gesteld voor schade veroorzaakt door niet erkende wisselstukken of toebehoren.
- Verbreek bij werkzaamheden aan de machine of eraan verbonden apparatuur de verbinding met het lichtnet en het startmechanisme want tijdens de inwerkingstelling staan de elektrische onderdelen van de pomp onder spanning.
- De montage en het onderhoud moeten worden uitgevoerd door bekwaam en bevoegd personeel dat voorafgaandelijk de instructies voor de installatie en het onderhoud aandachtig heeft gelezen.
- Volg de instructies betreffende de installatie en het onderhoud nauwkeurig op om de veiligheid te verzekeren tijdens de werking van de machine.
- Neem bij defecten of storingen contact op met uw leverancier of een van zijn vertegenwoordigers bij u in de buurt.
- Indien de voedingskabel is beschadigd, moet de vervanging ervan worden uitgevoerd door de fabrikant, diens klantenservice of gekwalificeerd personeel, met als doel risico's te vermijden.
- Het apparaat moet worden aangesloten op een geaard stopcontact, beschermd met een aardlekschakelaar (ALS) met een reststroom van niet meer dan 30 mA.
- Let er vooral op dat er in geen geval water binnensijpelt in de motor en de elektrische onderdelen die onder spanning staan.
- Vermijd te allen tijde het zelfs toevallige contact met de mobiele onderdelen van de machine wanneer deze in werking is en/of vóór deze volledig is uitgeschakeld.
- Wacht tot de machine volledig is uitgeschakeld om eender welke handeling aan de machine uit te voeren.
- Verbreek de verbinding met het lichtnet en blokkeer het startmechanisme alvorens te werken aan het elektrisch of mechanisch onderhoud.

Belangrijke veiligheidsopmerking

- Om het risico op verwondingen te beperken mag dit produkt niet door kinderen worden gebruikt.
- Het elektrische snoer niet begraven. Plaats het snoer zodanig dat het niet kan worden beschadigd door de grasmaaier, enz.
- De pomp niet starten voordat die juist op het zwembad is aangesloten.
- Om het risico op elektrische schokken te vermijden moet men een beschadigd snoer onmiddellijk vervangen.

Installatie

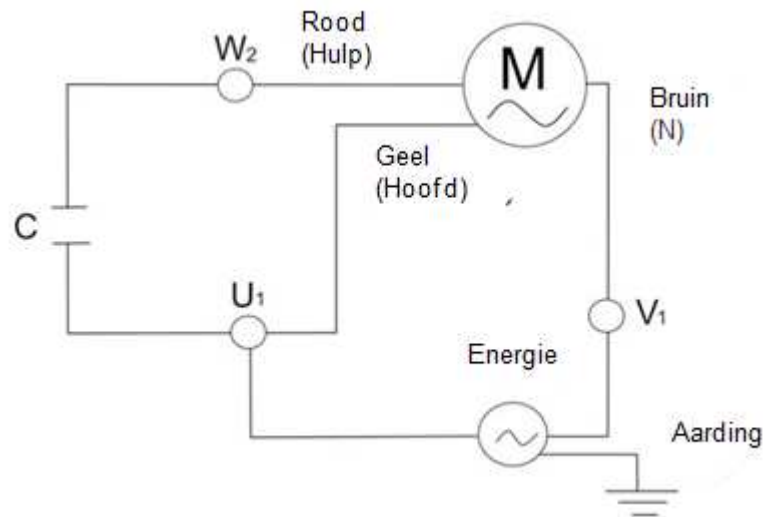
- Enkel bevoegd en geschoold personeel mag de pomp en de bedrading installeren volgens de geldende normen.
- De pomp moet horizontaal worden geïnstalleerd en bevestigd op de steun met behulp van schroeven om storende vibraties en geluiden te vermijden.
- De pomp moet worden geïnstalleerd op een plaats die uit de buurt is van eenderwelk bijtend of ontvlambaar produkt.
- De pomp moet voldoende drainage hebben om risico's op overstroming te vermijden en moet worden beschermd tegen een te hoge vochtigheid.
- Men moet onafhankelijke kleppen voorzien aan de aan- en afvoer van water.
- Men moet voldoende plaats laten voor het onderhoud van de pomp en er zeker van zijn dat het kenplaatje van de pomp zichtbaar is.
- Tijdens de installatie van de pomp moet men die zodanig plaatsen dat er rondom een vrije ruimte van 1 meter aanwezig is.

Elektriciteit

- Plaats de motor op de grond alvorens die op het net aan te sluiten. Indien men dit niet doet kan de motor een zware elektrische schok veroorzaken die zelfs dodelijk kan zijn. Men mag de pomp niet op een gasleiding die op de grond ligt plaatsen.
- Om een gevaarlijke of dodelijke schok te vermijden, moet men de elektrische voeding van de motor loskoppelen alvorens men aan de elektrische aansluitingen begint te werken.
- Indien de stroomonderbreker afspringt, dan duidt dit op een elektrisch probleem. Indien de stroomonderbreker afspringt en men kan niet meer opnieuw opstarten, dan moet men een geschoolde elektricien vragen om het elektrische systeem na te kijken en te repareren.
- De pomp moet worden gevoed door een geïsoleerde transformator of met een stroomonderbreker van 30 mA maximale nominale reststroom.

- De voedingsspanning moet exact overeenkomen met de aangegeven spanning op het motorplaatje. Een onjuiste spanning kan brand veroorzaken en/of de motor beschadigen en zal de waarborg annuleren. In geval van twijfel moet men een elektricien raadplegen.
- Het elektrische snoer wordt meegeleverd en is voorzien van een Y-verbinding. Indien het elektrische snoer wordt vervangen, dan moet de nieuwe kabel ook van het gepaste type zijn. De waarborg wordt geannuleerd in geval van niet toegelaten veranderingen van de onderdelen.
- De elektrische installatie moet voldoen aan de geldende normen.
- Indien het elektrische snoer is beschadigd, dan moet die door de fabrikant, vertegenwoordiger of eenderwelke andere geschoolde persoon worden vervangen om elk risico te vermijden.

- De pomp is uitgerust met een geïntegreerde thermische bescherming. Volg het onderstaande installatieschema om een juiste elektrische aansluiting te bekomen.



- De elektrische installatie moet worden uitgevoerd door vakmensen die werden opgeleid om elektrische installaties uit te voeren. Dit apparaat is niet ontworpen om te worden gebruikt door kinderen, personen met een lichamelijke, zintuiglijke of geestelijke beperking, of door personen die onvoldoende ervaring of kennis hebben, tenzij er een persoon bij is die verantwoording neemt voor hun veiligheid en hun de bovengenoemde instructies geeft om het apparaat te kunnen bedienen.
Het is zowel voor kinderen als voor volwassenen verboden te steunen of plaats te nemen op het toestel. Kinderen moeten steeds vergezeld zijn van een volwassene opdat zij niet met het toestel zouden spelen.
Stel de waarde van de thermische relais in in functie van de intensiteit van de pomp.
- Elektrocutiegevaar bij een ongeschikte aansluiting op het lichtnet.

Montage van de slangen

- De slangen moet vóór en achter de pomp worden gemonteerd en moeten een diameter hebben die hetzelfde of groter is dan de ingang van de pomp. Om wrijvingsverliezen te vermijden moet men een PVC-buis van minstens 50 mm gebruiken. Verhoog de diameter voor grotere afmetingen van de slang.
- De zuig- en uitstootslang mogen nooit in de pomp achterblijven.
- Men moet alle aansluitingen en het deksel van de pomp goed afdichten om waterverlies in de motor te vermijden. Dit waterverlies zou de motor kunnen beschadigen.

Controles alvorens de pomp te starten

Onderneem volgende stappen alvorens de pomp in werking te stellen:

- Controleer of de geleverde spanning en de frekwentie overeenkomen met de gegevens op het kenplaatje van de pomp.
- Alvorens de pomp te starten moet men die met water vullen voor de zelfaanzuiging.
- Controleer of de spanning en de frequentie van het lichtnet overeenstemmen met deze vermeld op het gegevensplaatje op de pomp.
- De pomp kan doorlopend werken.

Starten van de pomp

Men mag de pomp enkel starten indien de zuig- en uitstootbuizen aan de in- en uitgang van de pomp zijn aangesloten. Controleer of er geen obstakels in de buizen aanwezig zijn.

Onderhoud en reiniging

- Uw nieuwe pomp heeft geen specifiek onderhoud of programmatie nodig. Indien de pomp gedurende een lange tijd niet zal worden gebruikt, dan moet men ze demonteren, reinigen en op een droge en goed verluchte plaats zetten.
- Indien het elektrische snoer is beschadigd, dan moet die door de fabrikant, vertegenwoordiger of eenderwelke andere geschoolde persoon worden vervangen om elk risico te vermijden.
- Men moet de pomp regelmatig reinigen door het vuil uit de filter te verwijderen, zodat de toevoerbuis niet wordt geblokkeerd of de pomp niet beschadigd.
- De onderdelen van de pomp, die door het gebruik afslijten en/of worden aangetast, moeten geregeld worden vervangen om een goed rendement van de pomp te behouden.
- Controleer geregeld:
 - Het correct vastzitten van de mechanische onderdelen en de staat van de steunschroeven van de machine.
 - De correcte positie, het vastzitten en de staat van de stroomgeleiders en van de isolerende onderdelen.
 - De temperatuur van de machine en van de elektrische motor. Schakel bij onregelmatigheden de machine onmiddellijk uit en neem contact op met de dichtsbijzijnde technische dienst.
 - De vibraties van de machine . Schakel bij onregelmatigheden de machine onmiddellijk uit en neem contact op met de dichtsbijzijnde

Symptomen	Oorzaken	Oplossing
De pomp werkt niet	Er is geen spanning aanwezig	Gebruik een ander apparaat dat werkt om het stopcontact en de stroomonderbreker te controleren.
	De stroomonderbreker is afgesprongen	Controleer de stroomonderbreker en indien nodig vervangen.
	De automatische thermische stop staat geactiveerd om de motor te beschermen	Sluit de spanning van de pomp af en laat de motor afkoelen alvorens die opnieuw op te starten. Wees er zeker van dat zowel de pomp als de motor voldoende ventilatie rondom hebben. Wees er zeker van dat de pomp niet door vuil wordt belemmerd en dat de motor vrij kan draaien.
	De motor is verbrand omwille van een overspanning of een overstroming	Het is mogelijk dat men de motor moet vervangen.
De pomp werkt met een klein of zelfs zonder debiet	De pomp staat geblokkeerd (controleer of de motor vrij kan draaien).	Blokkering in de motor of in de korf
	De kleppen zijn gesloten	Controleer het systeem om er zeker van te zijn dat de kleppen, met inbegrip van de kleppen aan de in- en uitgang van de pomp, in de juiste positie staan om te filteren.
	De filter is gevuld met vuil	Reinig de filter (zie filterhandleiding).
	Er is lucht aanwezig in het systeem	Start de pomp (zie startprocedure). Controleer of er luchtlekken aanwezig zijn in de zuigbuizen of in de aansluitingen. Wees er zeker van dat het deksel van de korf goed is gesloten en waterdicht is. Controleer of er geen lekken aanwezig zijn onder de pomp.
	Gebrek aan water	Wees er zeker van dat het waterpeil in het zwembad minstens overeenkomt met de hoogte van de skimmer.
	Vuil aanwezig in de pomp of in de skimmer (Opmerking: de pomp niet laten werken zolang de korf of de skimmer niet juist staan gemonteerd).	Wees er zeker van dat korf van de pomp of skimmer niet met vuil zijn gevuld. Wees er zeker van dat er geen blokkering aan de in- en uitgang van de pomp aanwezig is. Wees er zeker van dat er zich geen voorwerpen in de pomp bevinden.
Lek tussen het pomplichaam en de motor	De schroeven van het lichaam staan niet goed vastgedraaid. De pakking of de metalen verbinding zijn versleten.	Sluit de pomp en draai de schroeven los, controleer de uitlijning en de toestand van de pakking alvorens de schroeven opnieuw vast te draaien. Vervang de pakkingen indien nodig.
Deksel van de voorfilter	Het deksel is niet goed gesloten.	Wees er zeker van dat het deksel de O-ring goed vastdrukt.

PT- Bomba piscina autocomeçando

INDICAÇÕES DE SEGURANÇA, LEIA COM ATENÇÃO

- No que se refere à instalação eléctrica dever-se-á seguir a norma:

NF C15-100

NF EN 60-335-20-41

relativa “à construção de instalações eléctricas, tanto em piscinas cobertas como em piscinas ao ar livre”, ou a norma análoga vigente em cada região ou país.

• *“Todas as filtrações seguem a norma de instalação C 15-100 que especifica que qualquer aparelho eléctrico situado a menos de 3,5 m da piscina e com livre acesso deve estar alimentado com muito baixa tensão 12 V. Todo aparelho alimentado com 220 V deve estar situado a, no mínimo, 3,5 m do bordo da piscina. Para qualquer modificação de um ou de vários elementos do sistema de filtração”, deve-se pedir a autorização do fabricante.*

- A instalação eléctrica deve ser realizada por profissionais qualificados em instalações eléctricas.
- Não deixe o aparelho ligado quando estiver a utilizar a piscina.
- Não faça o aparelho funcionar sem estar correctamente purgado.
- Não toque NUNCA o aparelho em funcionamento com o corpo ou com as mãos húmidas.
- Quando tiver de manipular o aparelho, DESLIGUE-O da tomada.
- Assegure-se de que o chão esteja seco, antes de tocar no equipamento eléctrico.
- Não coloque o aparelho onde ele possa se molhar, pode causar electrocussão.
- Não permita que crianças ou adultos se apoiem ou sentem no aparelho.
- Se o cabo de alimentação flexível estiver danificado, deverá ser substituído. Leia com atenção as instruções para a substituição do cabo. Em caso de dúvida consulte o serviço técnico.

Estes instruções permitem uma instalação correcta e o desempenho óptimo da vossa bomba. Ler esta nota cuidadosamente. A vossa nova bomba é uma bomba centrífuga só uma etapa, carro que começa, concebida para uma utilização com um sistema de filtração piscine. Esta bomba é concebida para uma utilização com a água limpa à uma temperatura entre 5°C e 35°C. Esta bomba é fabricada com materiais de elevada qualidade assuntos à controlos hidráulicos e eléctricos rigorosos. Uma instalação correcta desta bomba é assegurada seguindo estes instruções. Declinamos qualquer responsabilidade para os prejuízos devidos ao incumprimento deestes instruções.

IMPORTANTE

O manual que é fornecido contém informação fundamental sobre as medidas de segurança a adoptar durante as fases de instalação e colocação em funcionamento. Por isso, é imprescindível que tanto o instalador como o utilizador leiam as instruções antes de realizar as operações de montagem e colocação em funcionamento.

NORMAS GERAIS DE SEGURANÇA

- As máquinas apresentadas neste Manual foram especialmente concebidas para obter a pré-filtragem e a recirculação da água nas piscinas.
- Efectuar a instalação com base nas indicações específicas de cada aplicação.
- Para qualquer alteração na bomba é necessária a autorização prévia do fabricante. As peças de substituição originais e os acessórios autorizados pelo fabricante servem para garantir uma maior segurança. O fabricante da bomba fica isento de qualquer responsabilidade pelos danos que forem provocados pela utilização de peças ou acessórios não autorizados.
- Ao efectuar o trabalho sobre cada máquina ou sobre os equipamentos a esta ligados, é necessário desligar o equipamento da fonte de alimentação e os dispositivos de arranque, uma vez que durante o funcionamento as peças eléctricas da bomba estão sob tensão.
- O utilizador deve certificar-se de que os trabalhos de montagem e manutenção são realizados por pessoas autorizadas e qualificadas, e que estas pessoas conhecem de forma pormenorizada as instruções de instalação e serviço.
- Cumprir todas as instruções de instalação e manutenção para garantir a segurança do funcionamento da máquina.
- Em caso de funcionamento defeituoso ou avaria, deve dirigir-se ao seu fornecedor ou ao representante oficial mais próximo.
- Se o cabo de alimentação estiver danificado, a substituição deverá ser efectuada pelo fabricante, pelo seu serviço pós-venda ou por pessoal qualificado, a fim de evitar riscos.
- O dispositivo deve estar ligado a uma tomada de corrente com ligação à terra, protegida por um interruptor diferencial (DDR) com uma corrente residual que não ultrapasse os 30 mA.
- É necessário ter atenção para que, de forma alguma, entre água no motor e nas partes eléctricas em tensão.
- Evitar a qualquer momento o contacto, mesmo que accidental, com as peças móveis da máquina durante o funcionamento da mesma e/ou antes da sua paragem total.
- Esperar que máquina pare completamente antes de efectuar qualquer intervenção.
- Desligar a máquina da fonte de alimentação e bloquear os dispositivos da colocação em funcionamento, antes de proceder a qualquer intervenção de manutenção eléctrica ou mecânica.
- Para limitar os riscos de feridas, este produto não deve ser utilizado por crianças, excepto com uma vigilância aproximada.
- Não enterrar o fio eléctrico. Colocar o fio de modo que não seja danificado pelas máquinas de cortar, dimensão-sebe e outros aparelhos.
- Não começar a bomba antes que seja conectada correctamente à sua piscina.
- Para limitar os riscos de choque eléctrico, substituir o fio eléctrico imediatamente se for danificado.

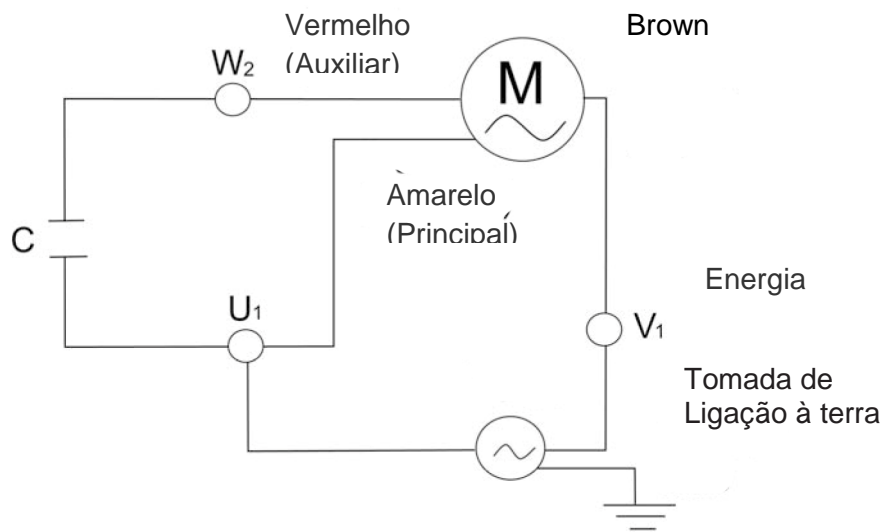
Instalação

Só um pessoal autorizado e qualificado deverá instalar a bomba e a cablagem, observando as normas em vigor.

- La bomba deve ser instalada horizontalmente, fixando-o com os parafusos sobre o apoio, isto para evitar as vibrações e os barulhos prejudiciais
- A bomba deve ser instalada distante de qualquer produto corrosivo ou inflamável.
- A bomba deve ter uma drenagem suficiente para evitar o risco de inundação e deve ser protegida de um excesso de humidade.
- Prever válvulas independentes à entrada e a saída de água.
- Prever um acesso suficiente para a manutenção da bomba e assegurar-se de que o rótulo de dados técnicos da bomba continua a ser visível.
- Aquando da instalação da bomba, posicionar para ter um espaço livre de 1m muito ao redor.

Electricidade

- Pôr o motor à terra antes de ligá-lo à uma fonte eléctrica. Se não, o motor poderá provocar um choque eléctrico severo ver mortal. Não o pôr à terra sobre um conduto de gases.
- Para evitar o risco de choque eléctrico perigoso ou mortal, desligar a fonte de electricidade de u a motor antes de trabalhar sobre as conexões eléctricas.
- O desencadeamento de um disjuntor indicaria um problema eléctrico. Se o disjuntor desencadeia-se e não pode ser entregue, pedir a um electricista qualificado que verifique e reparar so sistema eléctrico.
- A bomba deve ser alimentada por um transformador isolado ou via um disjuntor de 30mA máximo de corrente residual nominal.
- A tensão de alimentação deve corresponder exactamente à voltagem indicada sobre a placa do motor. Uma tensão incorrecta poderia provocar um incêndio e/ou danificar o motor, o que anularia a garantia. No caso de dúvida, consultar um electricista.
- O fio eléctrico é fornecido com uma conexão de tipo "LÁ". Se o fio eléctrico for substituído, o novo fio deve igualmente ser de um tipo adequado. A garantia será anulada no caso de modificação não - autorizada de componentes.
- A instalação eléctrica deve ser conforme com as normas em vigor.
- Se o fio eléctrico for danificado, deve ser substituído por fabricando, o seu agente, ou qualquer poutra pessoa qualificada para evitar qualquer perigo.
- A bomba é equipada d' uma protecção térmica integrada. Seguir o esquema abaixo para uma conexão eléctrica correcta.



- A instalação eléctrica deve ser realizada por profissionais qualificados em instalações eléctricas. Este dispositivo não foi concebido para ser utilizado por crianças, por pessoas com capacidades físicas, sensoriais ou psíquicas reduzidas, ou por pessoas sem experiência ou sem conhecimentos, exceto se uma pessoa responsável pela sua segurança se encontra a cargo da sua vigilância e lhe proporciona as instruções prévias para manusear o dispositivo. Não permita que crianças ou adultos se apoiem ou sentem no aparelho. As crianças devem ser mantidas sob vigilância.
- Ajustar convenientemente o valor do relé térmico de acordo com a intensidade da bomba.
- Existe perigo de electrocussão, caso a ligação à rede eléctrica não seja efectuada de forma adequada.

Montagem de tubos

- Os tubos ascendentes e a jusante da bomba devem ter diâmetros iguais ou superiores ao da entrada da bomba. Para evitar as perdas de fricção, do tubo PVC de diâmetro 50mm (2in) mínimo deve ser utilizado. Aumentar o diâmetro para comprimentos mais importantes de tubo.
- Os tubos de aspiração e de quitação não devem em caso algum permanecer sobre a bomba.
- Efectivamente selar todas as conexões e a tampa da bomba para evitar as gotas de água sobre motor, o que poderia danificar-o.

Controlos antes de arranque

Antes de colocar a bomba em funcionamento, é necessário realizar as seguintes operações:

- Verificar que a tensão fornecida assim como a frequência corresponde à placa que encontra-se sobre a bomba.
- Antes do arranque inicial, preencher a bomba com a água para auto-cebante da bomba.
- Comprovar que a tensão e potência da rede eléctrica correspondem aos valores indicados na placa de características da bomba.
- A bomba pode funcionar continuamente.

Arranque

Começar a bomba apenas quando os tubos de aspiração e de quitação são conectados à entrada e a saída da bomba. Verificar que não há obstáculos nos tubos.

Manteniment e limpeza

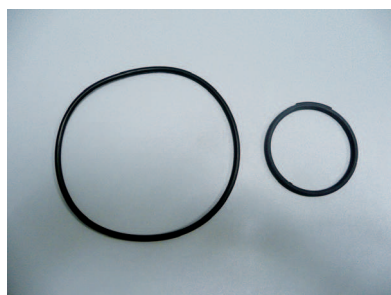
- A vossa nova bomba da piscina não tem necessidade de entrevista especial ou de programação.No caso ou a bomba não é utilizado durante certo tempo, é aconselhado desmontar-o, de limpar-o,e de arranjar-o numa lugar seca e bem aerado.
- Se o fio eléctrico for danificado, deve ser substituído por fabricando, o seu agente, ou qualquer outrapessoa qualificada a fim de evitar qualquer perigo.
- Limpar regularmente a vossa bomba retirando os restos do vosso filtro, para que o tubo de entrada não bloqueie ou não danifique a bomba.
- Os componentes da bomba que, devido à sua utilização habitual, sofram desgaste e/ou deterioração devem ser repostos periodicamente para manter o bom rendimento da bomba
- Verificar periodicamente:
 - A correcta fixação das peças mecânicas e o estado dos parafusos de suporte da máquina.
 - A correcta posição, a fixação e o estado dos condutores de alimentação e das peças isolantes.
A temperatura da máquina e do motor eléctrico. Em caso de anomalia, parar imediatamente a máquina e recorrer ao Serviço de Assistência Técnica mais próximo.
 - As vibrações da máquina. Em caso de anomalia, parar imediatamente a máquina e recorrer ao Serviço de Assistência Técnica mais próximo.

Symptoms	Causes	Solution
A bomba não funciona	Não corrente à fonte eléctrica.	Utilizar outro aparelho que funciona para verificar a tomada eléctrica. Verificar o disjuntor
	Disjuntor saltado.	Verificar o disjuntor e substituí-lo se necessário
	O acórdão automático térmico da bomba activou-se para proteger o motor.	Cortar a corrente à bomba e deixar resfriar o motor antes do redémarrar. Assegurar-se de que a bomba e o motor têm uma ventilação suficiente ao redor. Assegurar-se de que a bomba não é bloqueada por restos e que a árvore gira livremente. É possível que o motor seja conectado sobre uma fonte básica tensão
	A bomba é bloqueada (verificar se o motor pode girar livremente).	Bloqueio na bomba ou o cesto. Os rolamentos são bloqueados
A bomba funciona com um débito reduzido ou sem débito	Motor queimado devido à uma PIC de tensão ou inundado pela água	Cortar a corrente à bomba e deixar resfriar é possível que o motor deva ser substituído
	As válvulas estão posição fechada	Verificar o sistema para assegurar-se de que as válvulas estão na boa posição para filtrar, incluindo eventuais as válvulas à entrada e a saída da bomba.
	O filtro é preenchido de restos	Limpar o filtro (referir-se à documentação fornecida com o vosso filtro).
	Ar no sistema.	Assegurar-se de que o nível em piscine está pelo menos mi-hauteur da abertura do skimmer.
	Falta de água.	Make sure that the water level is at least at the height of the skimmer.
	Resto na bomba ou o skimmer. (Nota: não fazer funcionar a bomba sem o cesto da bomba ou o cesto do skimmer montada correctamente)	Assegurar-se de que o cesto da bomba e o skimmer não é preenchido restos. Assegurar-se de que não há bloqueio à entrada ou a saída da bomba. Assegurar-se de que o interior da bomba não tem objectos que poderiam bloquear o débito de água.
Fuga entre o corpo da bomba e o motor	As porcas do corpo não são bem apertadas. A junta de impermeabilidade ou a junta mecânica é usada.	Cut-out the pump and loosen the screws, check the alignment and the condition of the water-tight gaskets before tightening the screws, replace the gaskets if necessary.
Fuga d' água à tampa da prefiltro	A tampa n' não é aparafusado correctamente	S' assegurar que a tampa comprime a junta tórica.

TECHNICAL CHARACTERISTICS
CARACTERÍSTICAS TÉCNICAS
RENSEIGNEMENTS TECHNIQUES
TECHNISCHE ANGABEN
DATI TECNICI
TECHNISCHE GEGEVENS
CARACTERISTICAS TECNICAS

COD.	Hmax	Hmin	Voltage (V)	Input Power (W)	Current (A)	Rpm	Q max (m³/h)	Q nom (m³/h)
PP101	14	4	220-240	900	4,1	2900	20	12
PP151	15	4	220-240	1100	5	2900	22	17
PP201	17	4	220-240	1600	7,3	2900	27	21

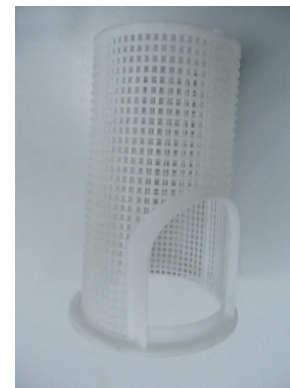
PP201 / PP151 / PP101



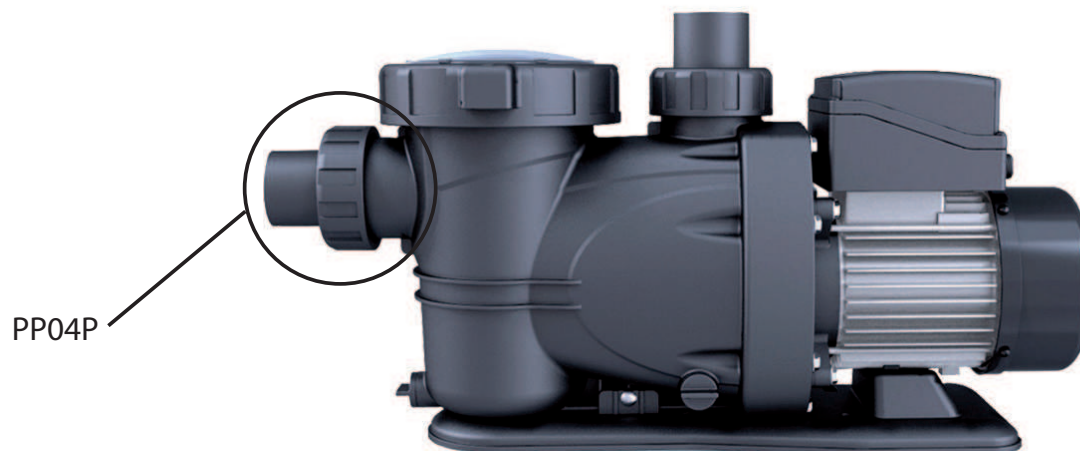
PP01P



PP02P



PP03P



PP04P

EN - GUARANTEE CERTIFICATE

1 GENERAL TERMS

1.1 In accordance with these provisions, the seller guarantees that the product corresponding to this guarantee ("the Product") is in perfect condition at the time of delivery.

1.2 The Guarantee Term for the Product is two (2) years from the time it is delivered to the purchaser.

1.3 In the event of any defect in the Product that is notified by the purchaser to the seller during the Guarantee Term, the seller will be obliged to repair or replace the Product, at his own cost and wherever he deems suitable, unless this is impossible or unreasonable.

1.4 If it is not possible to repair or replace the Product, the purchaser may ask for a proportional reduction in the price or, if the defect is sufficiently significant, the termination of the sales contract.

1.5 The replaced or repaired parts under this guarantee, will not extend the guarantee period of the original Product, but will have a separate guarantee.

1.6 In order for this guarantee to come into effect, the purchaser must provide proof of the date of purchase and delivery of the Product.

1.7 If, after six months from the delivery of the Product to the purchaser, he notifies a defect in the Product, the purchaser must provide proof of the origin and existence of the alleged defect.

1.8 This Guarantee Certificate is issued without prejudice to the rights corresponding to consumers under national regulations.

2 INDIVIDUAL TERMS

2.1 This guarantee covers the products referred to in this manual.

2.2 This Guarantee Certificate will only be applicable in European Union countries.

2.3 For this guarantee to be effective, the purchaser must strictly follow the Manufacturer's instructions included in the documentation provided with the Product, in cases where it is applicable according to the range and model of the Product.

2.4 When a time schedule is specified for the replacement, maintenance or cleaning of certain parts or components of the Product, the guarantee will only be valid if this time schedule has been followed.

3 LIMITATIONS

3.1 This guarantee will only be applicable to sales made to consumers, understanding by "consumer", a person who purchases the Product for purposes not related to his professional activities.

3.2 The normal wear resulting from using the product is not guaranteed. With respect to expendable or consumable parts, components and/or materials, such as batteries, light bulbs, etc. the stipulations in the documentation provided with the Product, will apply.

3.3 The guarantee does not cover those cases when the Product; (I) has been handled incorrectly; (II) has been repaired, serviced or handled by non-authorized people or (III) has been repaired or serviced not using original parts. In cases where the defect of the Product is a result of incorrect installation or start-up, this guarantee will only apply when said installation or start-up is included in the sales contract of the Product and has been conducted by the seller or under his responsibility.

ES - CERTIFICADO DE GARANTÍA

1 ASPECTOS GENERALES

1.1 De acuerdo con estas disposiciones, el vendedor garantiza que el producto correspondiente a esta garantía ("el Producto") no presenta ninguna falta de conformidad en el momento de su entrega.

1.2 El Período de Garantía para el Producto es de dos (2) años y se calculará desde el momento de su entrega al comprador.

1.3 Si se produjera una falta de conformidad del Producto y el comprador lo notificase al vendedor durante el Periodo de Garantía, el vendedor deberá reparar o sustituir el Producto a su propio coste en el lugar donde considere oportuno, salvo que ello sea imposible o desproporcionado.

1.4 Cuando no se pueda reparar o sustituir el Producto, el comprador podrá solicitar una reducción proporcional del precio o, si la falta de conformidad es suficientemente importante, la resolución del contrato de venta.

1.5 Las partes sustituidas o reparadas en virtud de esta garantía no ampliarán el plazo de la garantía del Producto original, si bien dispondrán de su propia garantía.

1.6 Para la efectividad de la presente garantía, el comprador deberá acreditar la fecha de adquisición y entrega del Producto.

1.7 Cuando hayan transcurrido más de seis meses desde la entrega del Producto al comprador y éste alegue falta de conformidad de aquél, el comprador deberá acreditar el origen y la existencia del defecto alegado.

1.8 El presente Certificado de Garantía no limita o prejuzga los derechos que correspondan a los consumidores en virtud de normas nacionales de carácter imperativo.

2 CONDICIONES PARTICULARES

2.1 La presente garantía cubre los productos a que hace referencia este manual.

2.2 El presente Certificado de Garantía será de aplicación únicamente en los países de la Unión Europea.

2.3 Para la eficacia de esta garantía, el comprador deberá seguir estrictamente las indicaciones del Fabricante incluidas en la documentación que acompaña al Producto, cuando ésta resulte aplicable según la gama y modelo del Producto.

2.4 Cuando se especifique un calendario para la sustitución, mantenimiento o limpieza de ciertas piezas o componentes del Producto, la garantía sólo será válida cuando se haya seguido dicho calendario correctamente.

3 LIMITACIONES

3.1 La presente garantía únicamente será de aplicación en aquellas ventas realizadas a consumidores, entendiéndose por "consumidor", aquella persona que adquiere el Producto con fines que no entran en el ámbito de su actividad profesional.

3.2 No se otorga ninguna garantía respecto del normal desgaste por uso del producto. En relación con las piezas, componentes y/o materiales fungibles o consumibles como pilas, bombillas etc., se estará a lo dispuesto en la documentación que acompañe al Producto, en su caso.

3.3 La garantía no cubre aquellos casos en que el Producto: (I) haya sido objeto de un trato incorrecto; (II) haya sido reparado, mantenido o manipulado por persona no autorizada o (III) haya sido reparado o mantenido con piezas no originales.

Cuando la falta de conformidad del Producto sea consecuencia de una incorrecta instalación o puesta en marcha, la presente garantía sólo responderá cuando dicha instalación o puesta en marcha esté incluida en el contrato de compra-venta del Producto y haya sido realizada por el vendedor o bajo su responsabilidad.

FR - CERTIFICAT DE GARANTIE

1 ASPECTS GÉNÉRAUX

1.1 Conformément à ces dispositions, le vendeur garantit que le produit correspondant à cette garantie ("le Produit") ne présente aucun défaut de conformité à la date de sa livraison.

1.2 La Période de Garantie pour le Produit est de deux (2) ans et elle sera calculée à partir du moment de sa remise à l'acheteur.

1.3 S'il se produisait un défaut de conformité du Produit et si l'acheteur le notifiât au vendeur pendant la Période de Garantie, le vendeur devrait réparer ou remplacer le Produit à ses propres frais à l'endroit qu'il jugerait opportun, à moins que cela soit impossible ou disproportionné.

1.4 Lorsque le Produit ne pourra être ni réparé ni remplacé, l'acheteur pourra demander une réduction proportionnelle du prix ou, si le défaut de conformité est suffisamment important, la résolution du contrat de vente.

1.5 Les parties remplacées ou réparées en vertu de cette garantie n'élargiront pas le délai de la garantie du Produit original, celles-ci étant cependant couvertes par leur propre garantie.

1.6 Pour l'effectivité de la présente garantie, l'acheteur devra justifier la date d'acquisition et de remise du Produit.

1.7 Quand plus de six mois se seront écoulés depuis la remise du Produit à l'acheteur et que ce dernier alléguera un défaut de conformité de ce Produit, l'acheteur devra justifier l'origine et l'existence du défaut allégué.

1.8 Le présent Certificat de Garantie ne limite pas, ni préjuge les droits correspondant aux consommateurs en vertu des normes nationales de nature impérative.

2 CONDITIONS PARTICULIÈRES

2.1 La présente garantie couvre les produits auxquels ce manuel fait référence.

2.2 Le présent Certificat de Garantie ne sera applicable que dans les pays de l'Union européenne.

2.3 En vue de l'efficacité de cette garantie, l'acheteur devra suivre strictement les indications du Fabricant comprises dans la documentation qui est jointe au Produit, quand celle-ci sera applicable selon la gamme et le modèle du Produit.

2.4 Quand un calendrier sera spécifié pour le remplacement, la maintenance ou le nettoyage de certaines pièces ou de certains composants du Produit, la garantie sera valable uniquement lorsque ledit calendrier aura été suivi correctement.

3 LIMITATIONS

3.1 La présente garantie ne sera applicable que dans les ventes réalisées aux consommateurs, considérant comme "consommateur", toute personne qui achète le Produit à des fins qui n'entrent pas dans le cadre de son activité professionnelle.

3.2 Aucune garantie n'est concédée quant à l'usure normale due à l'utilisation du produit. En ce qui concerne les pièces, composants et/ou matériels fungibles ou consommables comme les piles, les ampoules, etc., il faudra respecter, le cas échéant, ce qui est stipulé dans la documentation qui est jointe au Produit.

3.3 La garantie ne couvre pas les cas où le Produit : (I) a fait l'objet d'un traitement incorrect ; (II) a été réparé, entretenu ou manipulé par une personne non autorisée ou (III) a été réparé ou entretenu avec des pièces n'étant pas d'origine. Quand le défaut de conformité du Produit sera la conséquence d'une installation ou d'une mise en marche incorrectes, la présente garantie répondra uniquement lorsque ladite installation ou ladite mise en marche sera incluse dans le contrat d'achat et de vente du Produit et aura été réalisée par le vendeur ou sous sa responsabilité.

DE - GARANTIEZERTIFIKAT

1 ALLGEMEINE GESICHTSPUNKTE

1.1 In Übereinstimmung mit diesen Verfügungen garantiert der Verkäufer, dass das Produkt dieser Garantie ("das Produkt") entspricht und dass es im Moment der Übergabe in allen Punkten mit den Anforderungen übereinstimmt.

1.2 Der Garantiezeitraum für das Produkt beträgt zwei (2) Jahre und wird ab dem Augenblick der Lieferung an den Käufer gerechnet.

1.3 Falls ein Mangel am Produkt auftritt und der Käufer den Verkäufer innerhalb des Garantiezeitraums darüber unterrichtet, muss der Verkäufer das Produkt auf eigene Kosten dort reparieren oder ersetzen, wo es für ihn am günstigsten ist, es sei denn, dies ist unmöglich oder unverhältnismäßig.

1.4 Wenn das Produkt weder repariert noch ersetzt werden kann, kann der Käufer einen angemessenen Preisnachlass beantragen, oder, falls es sich um einen größeren Mangel handelt, die Auflösung des Kaufvertrages.

1.5 Die Teile, die aufgrund dieser Garantie ersetzt oder repariert werden, verlängern den Garantiezeitraum für das Originalprodukt nicht. Jedoch existiert für diese Teile eine eigene Garantie.

1.6 Um die vorliegende Garantie wirksam werden zu lassen, muss der Käufer das Kaufdatum und das Lieferdatum des Produktes belegen.

1.7 Nach Ablauf von sechs Monaten ab Lieferung des Produktes an den Käufer muss, im Falle eines Mangels, der Käufer den Ursprung und das Vorhandensein des angegebenen Mangels belegen.

1.8 Das vorliegende Garantiezertifikat schränkt die Rechte, die der Verbraucher aufgrund der herrschenden, nationalen Gesetzgebung hat, nicht ein.

2 SONDERBEDINGUNGEN

2.1 Die vorliegende Garantie gilt für die Produkte, auf die sich dieses Handbuch bezieht.

2.2 Das vorliegende Garantiezertifikat ist nur in den Ländern der Europäischen Gemeinschaft anwendbar.

2.3 Diese Garantie gilt nur, wenn der Käufer alle Anweisungen des Herstellers, die in der produktbegleitenden Dokumentation enthalten und für die jeweilige Produktlinie und Modell anwendbar ist, streng einhält.

2.4 Wenn ein Zeitplan für den Austausch von Teilen, die Instandhaltung und Reinigung bestimmter Teile oder Produktkomponenten aufgestellt wurde, gilt die Garantie nur dann, wenn dieser Zeitplan korrekt eingehalten wurde.

3 EINSCHRÄNKUNGEN

3.1 Die vorliegende Garantie ist nur auf Verkäufe an Verbraucher anwendbar. "Verbraucher" sind alle Personen, die dieses Produkt zu privaten Zwecken erwerben.

3.2 Es wird keine Garantie für die normale Abnutzung durch den Gebrauch des Produktes gewährt. Informationen über Teile, Komponenten und/oder verschleißbare Materialien oder Verbrauchsgüter oder Batterien, Glühlampen etc. finden Sie in der Dokumentation, die das jeweilige Produkt begleitet.

3.3 In folgenden Fällen gilt die Garantie nicht: (I) Das Produkt wurde nicht korrekt benutzt; (II) das Produkt wurde von nicht autorisierten Personen repariert, instandgehalten oder bedient oder (III) das Produkt wurde mit nicht originalen Ersatzteilen repariert oder instandgehalten. Wenn der Mangel auf eine falsche Installation oder Inbetriebnahme zurückzuführen ist, gilt die vorliegende Garantie nur, wenn diese Installation oder Inbetriebnahme in den Kaufvertrag des Produktes eingeschlossen war, und von dem Verkäufer oder auf dessen Verantwortung durchgeführt wurde.

IT - CERTIFICATO DI GARANZIA

1 ASPETTI GENERALI

1.1 Ai sensi delle seguenti disposizioni, il venditore garantisce che il prodotto corrispondente a questa garanzia ("il Prodotto") non presenta alcun difetto di conformità al momento della sua consegna.

1.2 Il Periodo di Garanzia per il Prodotto è di due (2) anni a decorrere dal momento della consegna dello stesso all'acquirente.

1.3 Nel caso in cui si venisse a produrre un difetto di conformità del Prodotto e l'acquirente lo notificasse al venditore entro il Periodo di Garanzia, il venditore dovrà riparare o sostituire il Prodotto a sue spese nel luogo che consideri opportuno, salvo che ciò risulti impossibile o sproporzionato.

1.4 Qualora non fosse possibile riparare o sostituire il Prodotto, l'acquirente potrà richiedere una riduzione proporzionale del prezzo o, nel caso in cui il difetto di conformità fosse sufficientemente importante, lo scioglimento del contratto di vendita.

1.5 Le parti sostituite o riparate in virtù della presente garanzia non rappresenteranno un prolungamento della scadenza della garanzia del Prodotto originale, quantunque disporranno di una loro propria garanzia.

1.6 Affinché la presente possa essere valida, l'acquirente dovrà attestare la data di acquisto e consegna di del Prodotto.

1.7 Una volta trascorsi più di sei mesi dalla consegna del Prodotto all'acquirente, qualora quest'ultimo dichiari un difetto di conformità del medesimo, l'acquirente dovrà attestare l'origine e l'esistenza del difetto dichiarato.

1.8 Il presente Certificato di Garanzia non limita o preclude i diritti che corrispondano ai consumatori in virtù delle norme nazionali di carattere imperativo.

2 CONDIZIONI PARTICOLARI

2.1 La presente garanzia copre i prodotti ai quali si riferisce questo manuale.

2.2 Il presente Certificato di Garanzia avrà vigore unicamente nell'ambito dei paesi dell'Unione Europea.

2.3 Per la validità di questa garanzia, l'acquirente dovrà rispettare in maniera rigorosa le indicazioni del Fabbricante indicate nella documentazione che viene allegata al Prodotto, quando questa risulti applicabile secondo la gamma e il modello del Prodotto.

2.4 Nel caso in cui venga specificato un calendario per la sostituzione, la manutenzione o la pulizia di determinati pezzi o componenti del Prodotto, la garanzia sarà valida solo quando qualora detto calendario sia stato rispettato in maniera corretta.

3 LIMITAZIONI

3.1 La presente garanzia sarà valida unicamente per le vendite realizzate a consumatori, laddove per "consumatori" s'intende quella persona che acquista il Prodotto con scopi che non rientrano nell'ambito della sua attività professionale.

3.2 Non viene concessa alcuna garanzia nei riguardi del normale consumo per uso del prodotto. In merito ai pezzi, ai componenti e/o ai materiali fusibili o consumabili come pile, lampadine, ecc., ove sussista si applicherà quanto disposto nella documentazione che è allegata al Prodotto.

3.3 La garanzia non copre i casi in cui il Prodotto: (I) sia stato oggetto di un uso non corretto; (II) sia stato riparato, manipolato o la manutenzione sia stata effettuata da una persona non autorizzata o (III) sia stato riparato o la manutenzione sia stata effettuata con pezzi non originali. Qualora il difetto di conformità del Prodotto sia conseguenza di una installazione o messa in marcia non corretta, la presente garanzia risponderà solo nel caso in cui la suddetta installazione o messa in marcia sia compresa nel contratto di compravendita del Prodotto e sia stata realizzata dal venditore o sotto la sua responsabilità.

NL - GARANTIECERTIFIKAAT

1 ALGEMENE ASPEKTEN

1.1 In overeenkomst met de voorliggende bepalingen wordt door de verkoper gegarandeerd dat het produkt verkocht onder deze garantie ("het Produkt") geen enkel defect vertoont op het moment van levering.

1.2 De Garantieperiode voor het Produkt bedraagt twee (2) jaar en is geldig vanaf het moment dat het Produkt aan de koper geleverd wordt.

1.3 Indien er zich een defect aan het Produkt zou voordoen en de koper dit zou mededelen aan de verkoper gedurende de geldige Garantieperiode, dan zal de verkoper het Produkt repareren of laten repareren op zijn eigen kosten alwaar de verkoper dit geschikt zou achten, behalve in het geval dat dit onmogelijk of buitensporig zou zijn.

1.4 Indien het Produkt niet gerepareerd of vervangen kan worden, dan kan de koper na verhouding prijsreductie aanvragen, of, indien het defect belangrijk genoeg is, de ontbinding van het verkoopcontract aanvragen.

1.5 Die delen van het Produkt die onder deze Garantie vervangen of gerepareerd zijn, kunnen de duur van de Garantieperiode voor het oorspronkelijke Produkt niet verlengen, maar zullen beschikken over een eigen garantie.

1.6 Voor de toepassing van deze garantie moet de koper de aankoopdatum en de levering van het Produkt kunnen aantonen.

1.7 Indien er meer dan zes maanden verlopen zijn sinds de levering van het Produkt aan de koper, en deze plotseling aangeeft dat het Produkt niet aan de eisen voldoet, dan zal de koper de oorsprong en het bestaan van de volgens hem bestaande defekten moeten kunnen aantonen.

1.8 Dit Garantiecertificaat beperkt of veroordeelt niet bij voorbaat de rechten die de gebruikers hebben en die gebaseerd zijn op nationale normen.

2 BIJZONDERE VOORWAARDEN

2.1 Deze garantie dekt de produkten waarnaar deze handleiding verwijst.

2.2 Het huidige Garantiecertificaat is slechts van toepassing in landen van de Europese Unie.

2.3 Voor de toepassing van deze garantie en in geval deze garantie van toepassing is al naar gelang de serie en het model van het Produkt, moet de koper de aanwijzingen van de Fabrikant in de documenten die bij het Produkt bijgesloten zijn, strikt opvolgen.

2.4 Indien er een tijdsperiode vastgesteld wordt voor de vervanging, het onderhoud of het reinigen van verschillende delen of onderdelen van het Produkt, dan is de garantie alleen geldig in geval deze tijdsperiode strikt aangehouden is.

3 BEPERKINGEN

3.1 De huidige garantie is uitsluitend geldig bij verkoop aan gebruikers, waarbij onder "gebruiker" verstaan wordt een persoon die het Produkt aanschaft met een doel dat niet binnen het gebied van zijn professionele activiteiten valt.

3.2 Er bestaat geen garantie in verband met normale slijtage bij gebruik van het Produkt. Wat betreft de delen, componenten en/of vervangbare of verbruiksmaterialen zoals batterijen, gloeilampen, enz. zal men zich moeten richten naar hetgeen in de documenten staat die het Produkt vergezellen.

3.3 De garantie dekt niet de gevallen waarbij het Produkt (i) onderhevig is geweest aan ongepast gebruik, (ii) gerepareerd, onderhouden of gemanipuleerd is door een persoon die daarvoor geen toestemming heeft, of (iii) gerepareerd of onderhouden is met niet oorspronkelijke onderdelen. Indien het defekt van het Produkt het gevolg is van een incorrecte installering of ingebruikneming, dan is deze garantie slechts van toepassing indien de installering of ingebruikneming in kwestie in het contract van koop en verkoop van het produkt opgenomen is en door de verkoper of onder diens verantwoording uitgevoerd is.

PT - CERTIFICADO DE GARANTIA

1 CONDIÇÕES GERAIS

1.1 De acordo com estas disposições, o vendedor garante que, no momento da entrega, o produto correspondente a esta garantia ("o Produto") não apresenta nenhum tipo de falta de conformidade.

1.2 O Período de Garantia para o Produto é de dois (2) anos, contados a partir da data de entrega ao comprador.

1.3 Se, durante o período de garantia, o comprador notificar ao vendedor alguma falta de conformidade do Produto, o vendedor deverá reparar ou substituir o Produto por sua conta no lugar onde considerar conveniente, salvo que isso seja impossível ou desmesurado.

1.4 Quando não for possível reparar ou substituir o Produto, o comprador poderá solicitar uma redução proporcional do preço ou, se a falta de conformidade for o suficientemente grave, a rescisão do contrato de venda.

1.5 As partes substituídas ou reparadas em virtude desta garantia não ampliarão o período de garantia do Produto original, mas disporão da sua própria garantia.

1.6 Para que a presente garantia tenha efeito, o comprador deverá apresentar o comprovante da data de compra e de entrega do Produto.

1.7 Se o comprador alegar uma falta de conformidade do Produto, passados mais de seis meses da data de entrega do mesmo, deverá demonstrar a origem e a existência do defeito alegado.

1.8 O presente Certificado de Garantia não limita nem afecta os direitos dos consumidores derivados das normas nacionais de carácter imperativo.

2 CONDIÇÕES PARTICULARES

2.1 A presente garantia cobre os produtos descritos neste manual.

2.2 O presente Certificado de Garantia só será válido nos países da União Europeia.

2.3 Para a eficácia desta garantia, o comprador deverá seguir rigorosamente as indicações do Fabricante contidas na documentação fornecida com o Produto, quando a mesma for aplicável em função da gama e do modelo do Produto.

2.4 No caso de se estabelecer um calendário para a substituição, manutenção ou limpeza de determinadas peças ou componentes do Produto, a garantia só será válida se o citado calendário tiver sido cumprido rigorosamente.

3 LIMITAÇÕES

3.1 A presente garantia só será válida para as vendas realizadas a consumidores, entendendo-se por "consumidor" a pessoa que comprar o Produto com fins não abrangidos no âmbito da sua actividade profissional.

3.2 A garantia não cobre o desgaste normal derivado do uso do produto. Em relação às peças, componentes e/ou materiais fungíveis ou consumíveis como pilhas, lâmpadas, etc., terá efeito o disposto na documentação fornecida com o Produto, em cada caso.

3.3 Esta garantia não abrange as seguintes situações: (I) Se o Produto tiver sido objecto de um uso incorrecto; (II) tiver sido reparado, sofrido manutenção ou manipulado por pessoas não autorizadas ou (III) tiver sido reparado ou as suas peças substituídas por peças não originais. Quando a falta de conformidade do Produto for consequência de uma instalação ou colocação em funcionamento incorrecta, a presente garantia só será válida se a referida instalação ou colocação em funcionamento estiver incluída no contrato de compra-venda do Produto e tiver sido realizada pelo vendedor ou sob sua responsabilidade.



EN - CROSSED-OUT WASTE CONTAINER

1.1 In order to reduce the amount of waste of electric and electronic apparatus, to reduce the danger of components, to encourage the reuse of apparatus, to assess waste and to set up a suitable waste treatment system, with the aim of improving the efficiency of environmental protection, a set of rules has been established applicable to the manufacture of the product and other rules regarding the correct environmental treatment when these products become waste.

1.2 It is also intended to improve the environmental practices of all agents involved in electrical and electronic goods, including manufacturers, distributors, users and particularly those directly involved in the treatment of waste derived from these apparatus.

1.3 From 13th August 2005, there are two ways of disposing of this apparatus:

1.4 If you purchase a new equivalent apparatus or which has the same functions as the one you wish to dispose of, you can hand it over, free of charge, to the distributor when making your purchase, or

1.5 You can take it to local collection points.

1.6 We shall cover waste treatment costs.

1.7 The apparatus are labelled with a symbol of a "crossed-out waste container". This symbol means that the apparatus is subject to selected waste collection, different from general waste collection.

1.8 Our products are designed and manufactured with top-quality, environmental-friendly materials and components, which can be reused and recycled. In spite of this, several parts of this product are not biodegradable and therefore it should not be left in the environment. For the correct recycling of this product, please completely detach the electrical motor from the rest of the filtration equipment.

ES - CONTENEDOR DE BASURA CON RUEDAS TACHADO

1.1 Con objeto de reducir la cantidad de residuos de aparatos eléctricos y electrónicos, la peligrosidad de los componentes, fomentar la reutilización de los aparatos, la valorización de sus residuos y determinar una gestión adecuada tratando de mejorar la eficacia de la protección ambiental, se establecen una serie de normas aplicables a la fabricación del producto y otras relativas a la correcta gestión ambiental cuando se conviertan en residuo.

1.2 Así mismo, se pretende mejorar el comportamiento ambiental de todos los agentes que intervienen en el ciclo de vida de los aparatos eléctricos y electrónicos, como son los productores, los distribuidores, los usuarios y en particular, el de aquellos agentes directamente implicados en la gestión de los residuos derivados de estos aparatos.

1.3 A partir del 13 Agosto de 2005 cuando usted quiera desechar este aparato, tiene dos posibles sistemas de devolución:

1.4 Si adquiere uno nuevo que sea de tipo equivalente o realice las mismas funciones que el que desecha, podrá entregarlo, sin coste, en el acto de la compra al distribuidor.

1.5 Podrá llevarlo al sitio que destinen las diferentes entidades locales.

1.6 Nosotros nos haremos cargo de los costes de gestión.

1.7 Los aparatos van etiquetados con el símbolo de un "contenedor de basura con ruedas tachado", este símbolo es indicativo de la necesaria recogida selectiva y diferenciada del resto de las basuras urbanas.

1.8 Nuestros productos están diseñados y fabricados con materiales y componentes de alta calidad, respetuosos con el medio ambiente, que pueden ser reutilizables y reciclados. Aun así, las diferentes partes que componen este producto no son biodegradables, por lo que no se deben abandonar en el medio ambiente. Se debe de reciclar por separado, para ello separar el motor eléctrico del resto del equipo de filtración.

FR - POUCELLE À ORDURES SUR ROULETTES BARRÉE

1.1 Afin de réduire la quantité de déchets d'appareils électriques et électroniques, afin d'éviter le danger de leurs composants, d'encourager la réutilisation des appareils ainsi que la valorisation de leurs déchets, et de déterminer une gestion appropriée de ceux-ci, en essayant d'améliorer l'efficacité de la protection environnementale, ont été établies de nombreuses normes applicables à la fabrication du produit, et d'autres relatives à la gestion environnementale correcte lorsque ces appareils sont hors service.

1.2 De même, on prétend améliorer le comportement environnemental de toutes les personnes qui interviennent dans le cycle de vie des appareils électriques et électroniques, tels que les producteurs, les distributeurs, les utilisateurs et, en particulier, les intervenants directement impliqués dans la gestion des déchets dérivés de ces appareils.

1.3 À partir du 13 août 2005, quand vous souhaitez vous débarrasser de votre appareil usagé, vous avez deux façons de vous en défaire :

1.4 Si vous achetez un nouvel appareil qui est plus ou moins du même genre ou qui réalise les mêmes fonctions que votre appareil usagé, vous pourrez le remettre au distributeur, sans aucun frais à votre charge, au moment de l'achat.

1.5 Ou bien vous pourrez le déposer à l'endroit destiné à cette fin par les différents organismes locaux.

1.6 Les frais de gestion seront à notre charge.

1.7 Les appareils portent une étiquette sur laquelle figure le symbole d'une "poubelle à ordures sur roulettes barrée". Ce symbole indique la nécessité d'une collecte sélective et triée du reste des déchets urbains.

1.8 Nos produits sont conçus et fabriqués avec des matériaux et des composants de haute qualité, respectueux de l'environnement, qui sont réutilisables et recyclables. Malgré tout, les différentes parties qui composent cet article ne sont pas biodégradables ; c'est pourquoi, il ne faut pas les mettre au rebut en les jetant dans l'environnement.

DE - DURCHGESTRICHENEN ABFALLCONTAINERS MIT RÄDERN

1.1 Um die Menge an Abfällen, die aus elektrischen und elektronischen Geräten bestehen, zu reduzieren, die Gefahr einzudämmen, die Wiederverwertung der Apparate und die Bewertung dieser Rückstände zu fördern und ein geeignetes Management zu finden, um die Wirksamkeit des Umweltschutzes zu



erhöhen, werden eine Reihe von Normen festgelegt, die auf die Herstellung des Produktes angewandt werden, und Normen, die sich auf die korrekte und umweltbewusste Entsorgung beziehen, wenn diese Produkte zu Abfall werden.

1.2 Ebenso soll das Umweltbewusstsein aller Beteiligten verbessert werden, die mit den elektrischen und elektronischen Apparaten während deren gesamtem Nutzungszyklus in Kontakt kommen, das sind zum Beispiel die Hersteller, die Vertrieber, die Benutzer und insbesondere diejenigen, die direkt mit der Entsorgung der Rückstände zu tun haben, die durch diese Apparate entstehen.

1.3 Ab dem 13. August 2005 gibt es zwei Möglichkeiten für die Rückgabe, wenn Sie diesen Apparat entsorgen möchten:

1.4 Falls Sie einen neuen, ähnlichen Apparat oder einen, der den gleichen Funktionen dient, erwerben, können Sie das alte Gerät kostenlos beim Kauf des neuen Gerätes an Ihren Verkäufer zurückgeben.

1.5 Oder Sie können den Apparat zu einer der öffentlichen Annahmestellen für diese Art von Sondermüll bringen.

1.6 Wir übernehmen die Kosten der Entsorgung.

1.7 Die Apparate sind mit einem Etikett mit dem Symbol eines „durchgestrichenen Abfallcontainers mit Rädern“ versehen. Dieses Symbol gibt an, dass es sich um Sondermüll handelt, und nicht um gewöhnlichen städtischen Müll.

1.8 Unsere Produkte bestehen aus Materialien und Komponenten hoher Qualität, die umweltfreundlich sind und wieder benutzt oder recycelt werden können. Dennoch sind die verschiedenen Teile, aus denen dieses Produkt besteht, nicht biologisch abbaubar, deshalb können sie nicht einfach weggeworfen werden. Um dieses Produkt korrekt zu recycling, bitte den elektrischen Motor von der Filteranlage zerlegen.

IT - CONTENITORE DELLA SPAZZATURA, SBARRATO

1.1 Allo scopo di ridurre la quantità di residui di apparati elettrici ed elettronici, la pericolosità dei componenti, promuovere il riutilizzo degli apparecchi, la valutazione dei loro residui e determinare una gestione adeguata cercando di migliorare l'efficacia della protezione ambientale, si stabiliscono una serie di norme applicabili alla fabbricazione del prodotto ed altre relative alla corretta gestione ambientale quando si trasformino in residui.

1.2 Allo stesso modo, si cerca di migliorare il comportamento ambientale di tutti gli agenti che intervengono nel ciclo vitale degli apparecchi elettrici ed elettronici, come i produttori, i distributori, i consumatori e, in particolare, il comportamento di quegli agenti direttamente implicati nella gestione dei residui derivati da questi apparecchi.

1.3 A partire dal 13 agosto del 2005, quando vorrà disfarsi di questo apparecchio, avrà due possibili sistemi di rottamazione a sua disposizione:

1.4 Se acquista un apparecchio nuovo che sia di tipo equivalente o che svolga le stesse funzioni di quello da rottamare, potrà consegnarlo direttamente al distributore, senza alcun costo, al momento dell'acquisto;

1.5 Potrà portarlo nel luogo appositamente destinato dai vari enti locali.

1.6 Noi ci faremo carico dei costi di gestione.

1.7 Gli apparecchi sono etichettati con il simbolo di un "contenitore della spazzatura, sbarrato", questo simbolo indica la necessaria raccolta selettiva e differenziata dal resto della spazzatura urbana.

1.8 I nostri prodotti sono progettati e fabbricati con materiali e componenti di elevata qualità, che rispettano l'ambiente, che possono essere riutilizzati e riciclati. Pur in questo caso, le varie parti che compongono questo prodotto non sono biodegradabili, per cui non devono essere abbandonate nell'ambiente. Per il riciclaggio corretto di questo prodotto, stacchi il motore dal resto dell'apparecchio di filtrazione.

NL - EEN DOORGESTREEPTE AFVALCONTAINER MET WIELEN

1.1 Teneinde het afval afkomstig van elektrische en elektronische apparaten en de schadelijke effecten van de diverse onderdelen te verminderen, het hergebruik van apparaten en de evaluatie van de effecten van het afval te bevorderen, en een gepast beheer en de bescherming van het milieu te bevorderen, zijn een aantal regels vastgesteld aangaande de fabricage van dit product alsmede de correcte milieubewuste verwerking van het apparaat wanneer het eenmaal wordt afgevoerd.

1.2 Bovendien is het de bedoeling de milieubewuste verwerking door alle agenten die bij de gebruikscyclus van de elektrische en elektronische apparaten betrokken zijn te verbeteren, zoals bijvoorbeeld leveranciers, distributeurs, gebruikers, en in het bijzonder de agenten die direct betrokken zijn bij de verwerking van het afval afkomstig van deze apparaten.

1.3 Met ingang van 13 augustus 2005 kunt u uit twee mogelijkheden kiezen wanneer u dit apparaat wilt weggoien:

1.4 Wanneer u een nieuw exemplaar aanschaft van een vergelijkbaar type of dat dezelfde functies verricht als het weg te gooien exemplaar, kunt u het oude exemplaar zonder kosten bij de distributeur inleveren bij de aankoop van het nieuwe

1.5 Of u kunt het naar de afvalverwerking brengen volgens de voorschriften van de lokale overheid.

1.6 Wij zullen de kosten van deze handelingen op ons nemen.

1.7 De apparaten zijn voorzien van een etiket met het symbool van "een doorgestreepte afvalcontainer met wielen"; dit symbool geeft aan dat het apparaat niet met het gewone afval gemengd en apart verwerkt moet worden.

1.8 Onze producten zijn ontworpen en gefabriceerd op basis van materialen en onderdelen van hoge kwaliteit die het milieu ontzien en die hergebruikt en gerecycled kunnen worden. Desondanks zijn de diverse onderdelen van dit product niet biologisch afbreekbaar, zodat deze niet in het milieu achtergelaten mogen worden. Om dit product correct te recyclen, relieve de elektrische motor van de Filterset los maken

PT - CONTENTOR DE LIXO COM RODAS BARRADO COM UMA CRUZ

1.1 Com o objectivo de reduzir a quantidade de resíduos dos equipamentos eléctricos e electrónicos, a perigosidade dos componentes, fomentar a reutilização dos equipamentos, a valorização dos seus resíduos e determinar uma gestão adequada tratando de melhorar a eficácia da protecção ambiental, estabelece-se uma série de normas aplicáveis ao fabrico do produto e outras relativas à correcta gestão ambiental quando se transformam em resíduos.



1.2 Do mesmo modo, pretende-se melhorar o comportamento ambiental de todos os agentes que intervêm no ciclo de vida dos equipamentos eléctricos e electrónicos, como são os produtores, os distribuidores, os utilizadores e, em particular, o dos agentes directamente implicados na gestão dos resíduos derivados destes equipamentos.

1.3 A partir do dia 13 Agosto de 2005, quando quiser desfazer-se deste aparelho, tem duas possibilidades de devolução:

1.4 Se adquirir um novo aparelho que seja de tipo equivalente ou que realize as mesmas funções que o que está a deitar fora, poderá entregá-lo ao distribuidor, sem custo, no acto da compra;

1.5 Poderá levá-lo ao local destinado pelas diferentes entidades locais.

1.6 Nós assumiremos os custos de gestão.

1.7 Os equipamentos são rotulados com o símbolo de um “contentor de lixo com rodas barrado com uma cruz”, que indica a necessidade de recolha selectiva e diferenciada do resto dos lixos urbanos.

1.8 Os nossos produtos são concebidos e fabricados com materiais e componentes de alta qualidade, respeitadores do ambiente, que podem ser reutilizados e reciclados. No entanto, as diferentes partes que compõem este produto não são biodegradáveis e, portanto, não devem ser abandonadas no meio ambiente. Para a reciclagem correta deste equipamento, por favor separe o motor eléctrico do resto do aparelho de filtração.

PUMPS

PP201/ PP151 / PP101 / PP076 / PP051 / PP031

**DECLARATION OF CONFORMITY / DÉCLARATION DE CONFORMITÉ / DECLARACIÓN DE CONFORMIDAD /
DICHIARAZIONE DI CONFORMITÀ / KONFORMITÄTSEKTLÄRUNG / DECLARAÇÃO DE CONFORMIDADE**

-The products listed above are in compliance with the safety prescriptions:

- 2014/30/EU Electromagnetic compatibility Directive.
- 2014/35/EU Low voltage Directive.
- 2000/14/EC Noise émission Directive.
- EN 60335-2-41 European Directive.
- 2011/65/EU European Directive (RoHS)

-Les produits énumérés ci-dessus sont conformes aux prescriptions de sécurité:

- Directive de compatibilité électromagnétique 2014/30/EU.
- Directive d'équipés de basse tension 2014/35/EU.
- Directive d'émission sonore 2000/14/CE.
- Directive Européenne EN 60335-2-41.
- Directive Européenne 2011/65/UE (RoHS)

-Los productos arriba enumerados se hallan conformes con:

- Directiva de compatibilidad electromagnética 2014/30/UE.
- Directiva de equipos de baja tensión 2014/35/UE.
- Directiva de emisión sonora 2000/14/CE.
- Directiva Europea EN 60335-2-41.
- Directiva Europea 2011/65/UE (RoHS)

-I prodotti su elencati sono conformi al quanto segue:

- Direttiva sulla compatibilità elettromagnetica 2014/30/EU.
- Direttiva apparecchiatura in bassa tensione 2014/35/EU.
- Direttiva sulle emissioni sonore 2000/14/CE.
- Direttiva Europea EN 60335-2-41.
- Direttiva Europea 2011/65/UE (RoHS)

- Die oben angeführten Produkte entsprechen den Sicherheitsbestimmungen:

- Richtlinie 2014/30/EWG über elektromagnetische Verträglichkeit.
- Richtlinie 2014/35/EWG über die Sicherheit von elektrischen Betriebsmitteln (Niederspannungsrichtlinie).
- Richtlinie 2000/14/EWG über Geräuschemissionen.
- Europäischen Richtlinie EN 60335-2-41.
- Europäischen Richtlinie 2011/65/EU (RoHS)

-Os produtos da lista acima estão conformes as:

- Directiva de compatibilidade electromagnética 2014/30/EU.
- Directiva de equipamentos de baixa tensão 2014/35/EU.
- Directiva de emissão sonora 2000/14/CE.
- Directiva Europeia EN 60335-2-41.
- Directiva Europeia 2011/65/UE (RoHS)

Sign the present conformity evidence/ Signe la présente déclaration/Firma la presente declaración/Firma la seguente dichiarazione/
Unterzeichnet diese Erklärung / Assina a presente declaração:

Date: July.6th, 2016

STARMATRIX GROUP INC.
江苏海天国际集团有限公司

Name: Kevin Chen

Date: July.6th, 2016

康海標

IF YOU HAVE ANY PROBLEM, CONTACT US! (UK GREEN NUMBER)	0800 91 76 778	
SI TIENES ALGÚN PROBLEMA,¡CONSÚLTENOS!	+34 946 741 844	
EM CASO DE PROBLEMA,¡CONSULTAR-NOS!	219 154 690	
EN CAS DE PROBLEME, NOUS CONSULTER!	France Te	+33 0892 707 720
	Belgique n. verde	0800 10 211
	Suisse numéro verde	08 /563 820
	Nederlands	0800 022 33 04
BEI PROBLEMEN KÖNNEN SIE SICH MIT UNS UNTER DER FOLGENDEN DEUTSCHEN	Deutschland	0180 333 0123
	Österreich	+49 180 333 0123
	schweiz freie Numme	0 800 /563 820
PER OGNI VOSTRA EVENTUALLE OCCORRENZA, INTERPELLATECI!	Italia	800 781 592
	Suizzera n. verde	0800/563 820
MOCHT U EEN PROBLEEM HEBBEN,... ¡RAADPLEEG ONS!	Nederlands	0800 022 33 04
	Belgie	800 10 211

* Sand not included / * Arena no incluida / * Sable non inclus
 * Sand nicht im Inhalt / * Sabbia non inclusa
 * Zand niet Inbegrepen / * Areia não incluida

DISTRIBUIDO POR:
MANUFACTURAS GRE. S.A. ARITZ BIDEA Nº57, BELAKO INDUSTRIALDEA 48100 MUNGIA (BIZKAIA)- ESPAÑA TEL. +34 946 74 11 16 · FAX. 34 946 74 17 08 http://www.gre.es Nº REG. IND.: 48-06762

We reserve the right to change all or part of the articles or contents of this document, without prior notice
 Nos reservamos el derecho de cambiar total o parcialmente las características de nuestros artículos o el contenido de este documento sin previo aviso
 Nous nous réservons le droit de modifier totalement ou en partie les caractéristiques de nos articles ou le contenu de ce document sans préavis
 Wir behalten uns das Recht vor, die technischen Daten unserer Artikel oder den Inhalt dieses Dokumentes ohne vorherigen Hinweis ganz oder teilweise zu ändern
 Ci riserviamo il diritto di cambiare totalmente o parzialmente le caratteristiche tecniche dei nostri prodotti ed il contenuto di questo documento senza nessun preavviso
 Wij behouden ons het recht voor geheel of gedeeltelijk de kenmerken van onze artikelen of de inhoud van deze handleiding zonder voorafgaand bericht te wijzigen
 Reservamo-nos o direito de alterar, total ou parcialmente, as características dos nossos artigos ou o conteúdo deste documento sem aviso prévio