

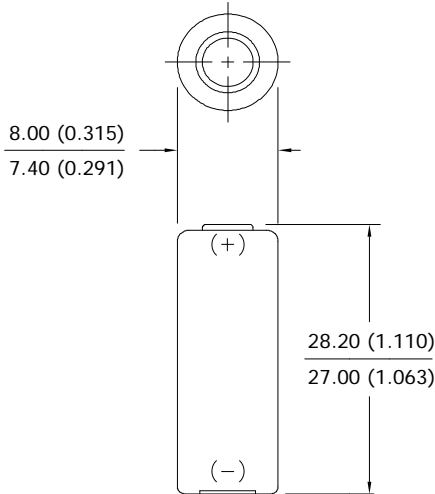
# ENERGIZER A27

**Miniature Alkaline**



## Industry Standard Dimensions

mm (inches)



Designed for electronic applications which may require high rate pulses

## Specifications

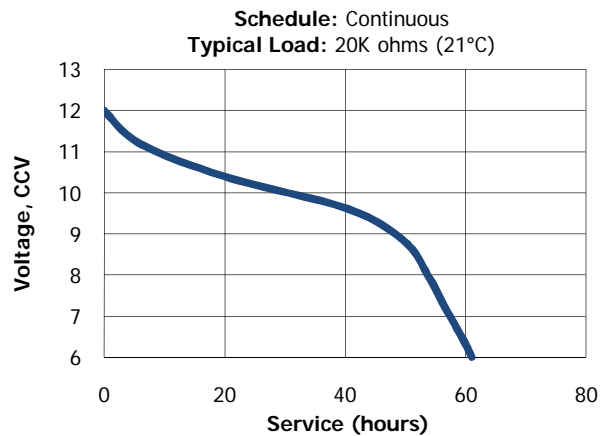
- Classification:** "Miniature Alkaline"
- Chemical System:** Manganese Dioxide (MnO<sub>2</sub>)
- Designation:** N/A
- Nominal Voltage:** 12.0 volts
- Typical Capacity:** 22 mAh to 6.0 volts (rated at 20k ohms at 21°C)
- Typical Weight:** 4.4 grams (0.2 oz)

## Typical Discharge Durations

at 21°C

Schedule (time)	Drain (mA)	Load (ohms)	Cutoff Voltage		
			8.8V (hours)	7.2V (hours)	6.0V (hours)
Continuous	0.36	20K	50	57	61

## Discharge Characteristics



### Important Notice

This datasheet contains typical information specific to products manufactured at the time of its publication.  
©Energizer Holdings, Inc. - Contents herein do not constitute a warranty.