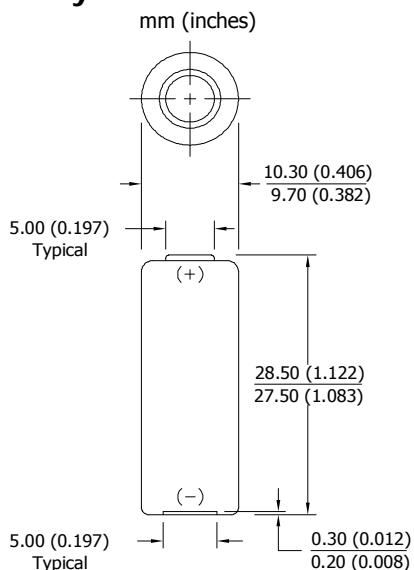


ENERGIZER A23

Miniature Alkaline



Industry Standard Dimensions



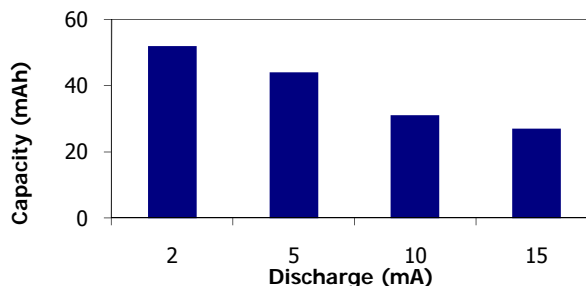
Designed for electronic applications which may require high rate pulses.

Specifications

- Classification:** Miniature Alkaline
- Chemical System:** Manganese Dioxide (MnO₂)
- Designation:** ANSI-1181A
- Nominal Voltage:** 12 volts
- Typical Capacity:** 55 mAh to 6.0 Volts (rated at 20K ohms at 21°C)
- Typical Weight:** 8.0 grams (0.3 oz.)
- Typical Volume:** 1.1 cubic centimeters (0.07 cubic inch)
- Jacket:** Plastic Label
- Terminal:** Flat Contact

Milliamp-Hours Capacity

Continuous discharge to 6.0 volts at 21°C

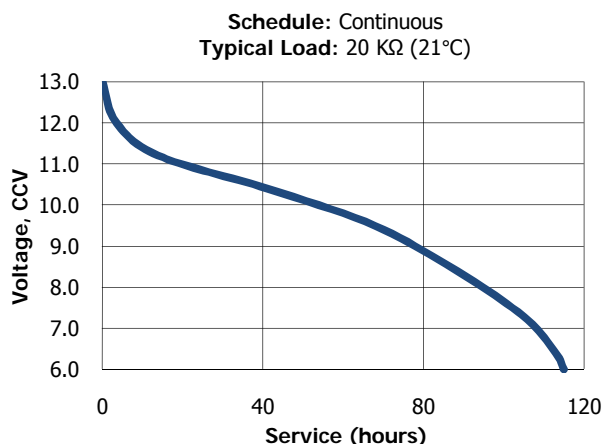


Typical Discharge Durations

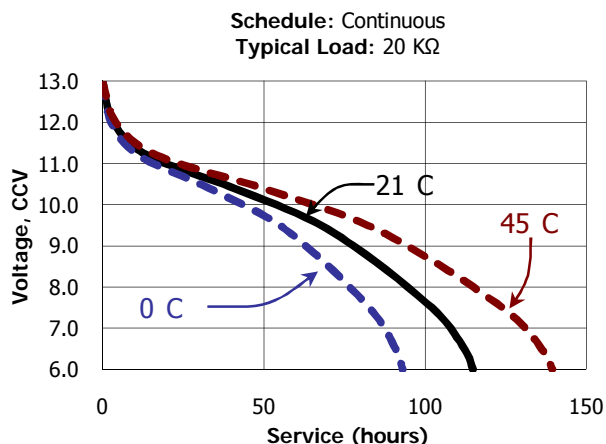
Continuous discharge at 21°C

| Schedule (time) | Drain (mA) | Load (ohms) | Cutoff Voltage | | |
|-----------------|------------|-------------|----------------|--------------|--------------|
| | | | 8.8V (hours) | 7.2V (hours) | 6.0V (hours) |
| Continuous | 0.48 | 20K | 81 | 105 | 115 |

Discharge Characteristics



Temperature Characteristics



Important Notice

This datasheet contains typical information specific to products manufactured at the time of its publication.
©Energizer Holdings, Inc. - Contents herein do not constitute a warranty.