

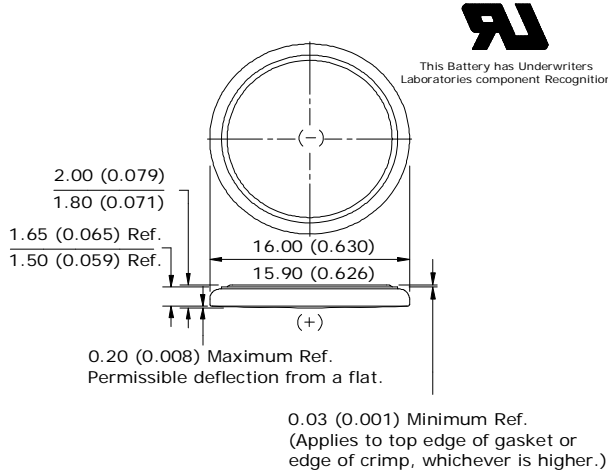
ENERGIZER CR1620

Lithium Coin



Industry Standard Dimensions

mm (inches)



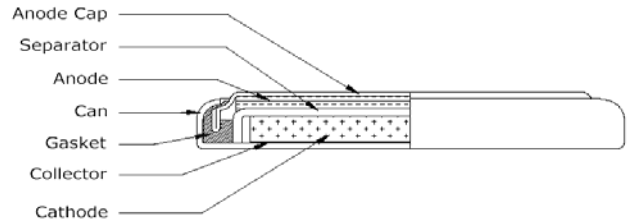
This Battery has Underwriters Laboratories component Recognition

Specifications

- Classification:** "Lithium Coin"
- Chemical System:** Lithium / Manganese Dioxide (Li/MnO<sub>2</sub>)
- Designation:** ANSI / NEDA-5009LC, IEC-CR1620
- Nominal Voltage:** 3.0 Volts
- Typical Capacity:** 79 mAh (to 2.0 volts)  
(Rated at 30K ohms at 21°C)
- Typical Weight:** 1.3 grams (0.04 oz.)
- Typical Volume:** 0.4 cubic centimeters (0.02 cubic inch)
- Max Rev Charge:** 1 microampere
- Energy Density:** 164 milliwatt hr/g, 573 milliwatt hr/cc
- Typical Li Content:** 0.043 grams (0.0015 oz.)
- UL Listed:** MH12454
- Shipping:** For complete details, please reference:  
Global (except US): Special Provision A45 of the International Air Transport Association Dangerous Goods Regulations  
United States: 49 CFR 173.185

**Safety** - lithium coin batteries lodged in the esophagus should be removed immediately. Leakage, chemical burns and potential perforation can occur within hours of ingestion. Seek medical attention immediately. Have physician call the NATIONAL BATTERY INGESTION HOTLINE for advice and follow-up (202)-625-3333 collect day or night.

Cross Section



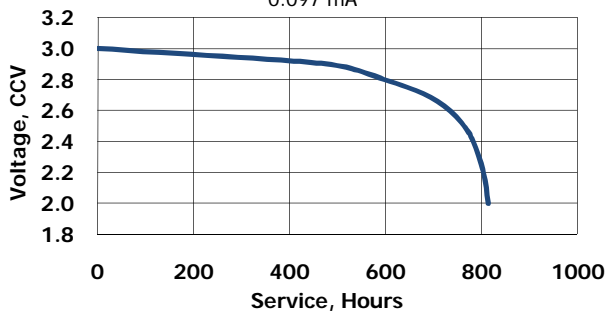
Simulated Application test

Typical Performance at 21°C (70°F)

Schedule:	Typical Drains: at 2.9V (mA)	Load (ohms)	Cutoff 2.0V (hours)
Continuous	0.097	30,000	814

Typical Discharge Characteristics

Load: 30K ohms - Continuous  
Typical Drain @ 2.9V:  
0.097 mA

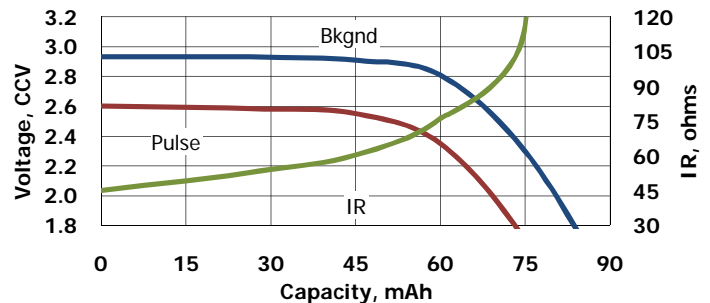


Internal Resistance Characteristics

Pulse Test at 21°C (70°F)

**Bkgnd Drain:** Continuous  
30K ohms  
0.097 mA @2.9V

**Pulse Drain:** 2 seconds X 12 times/day  
400 ohms  
6.5 mA @2.6V



Important Notice

This datasheet contains typical information specific to products manufactured at the time of its publication.  
©Energizer Holdings, Inc. - Contents herein do not constitute a warranty.