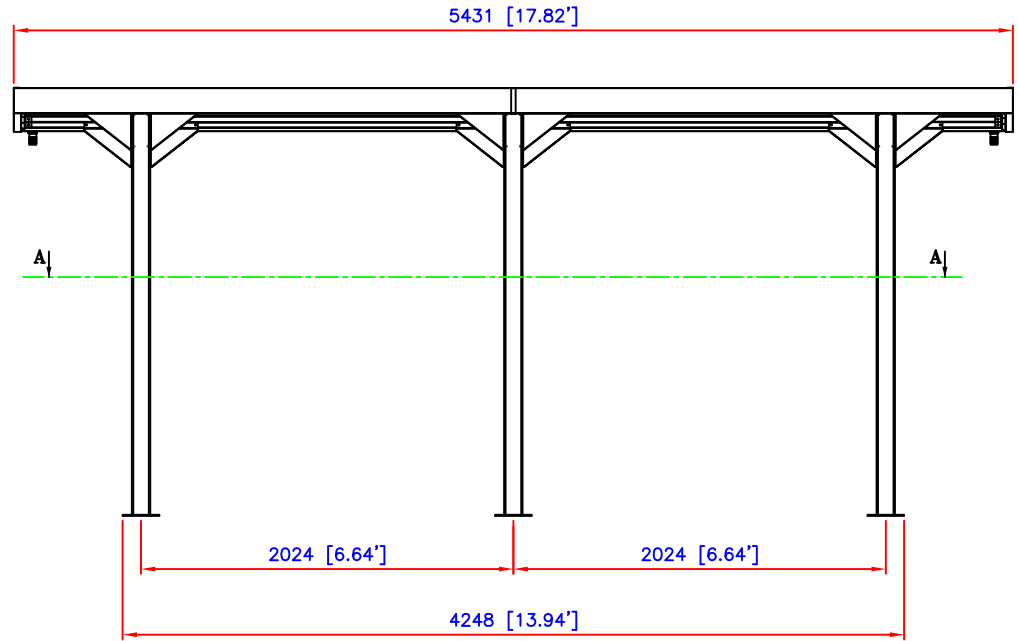
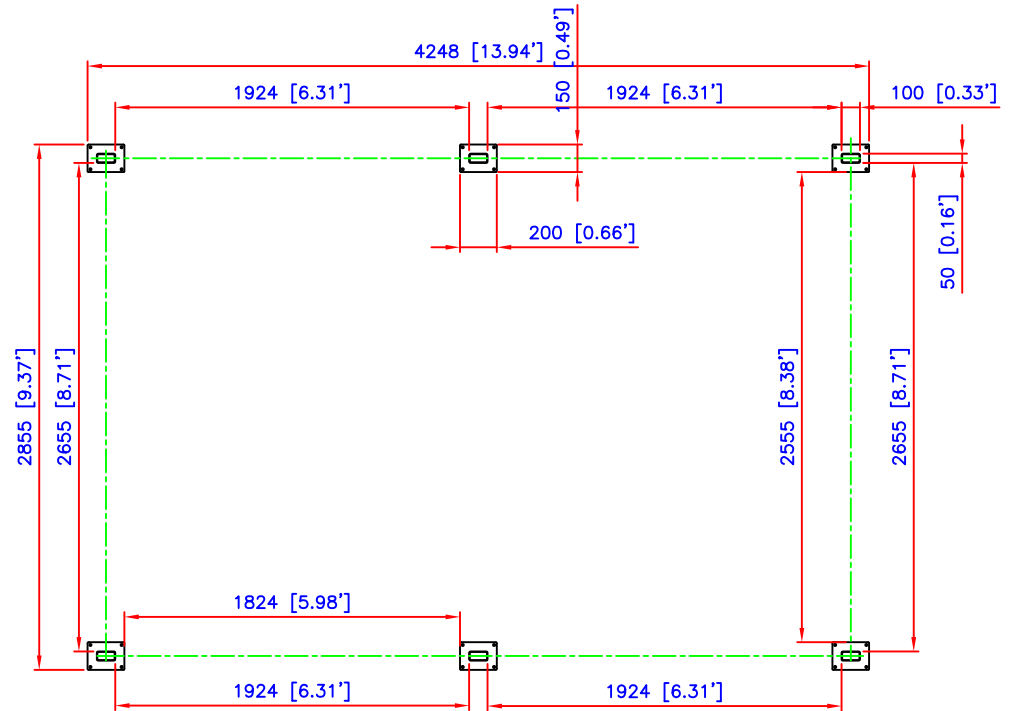


Side View



Elevation



Section - AA

Car Shelter

Note - Dimensional tolerance ± 5.0